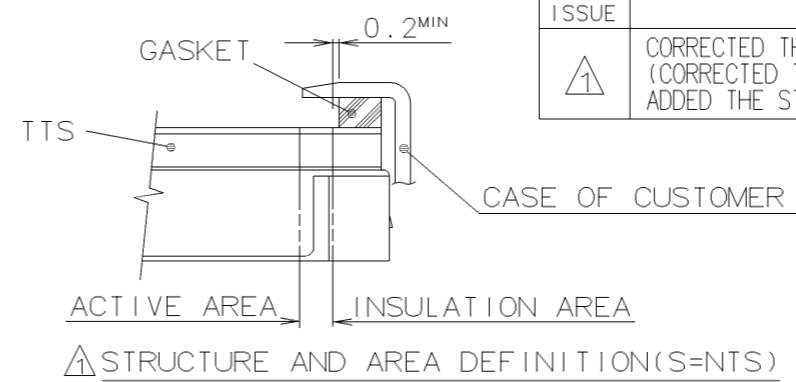
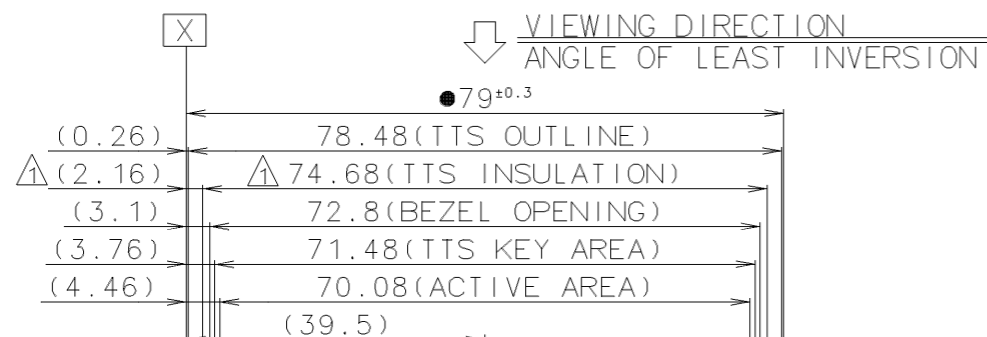


| ISSUE | REVISIONS | DRAWN | DATE |
|-------|---|---------|-----------|
| △ | CORRECTED THE PIN ASSIGNMENT OF CN3. (CORRECTED THE MISDESCRIPTION) ADDED THE STRUCTURE AND AREA DEFINITION | S. SANO | JUN.24'08 |



CN1 PIN ASSIGNMENT

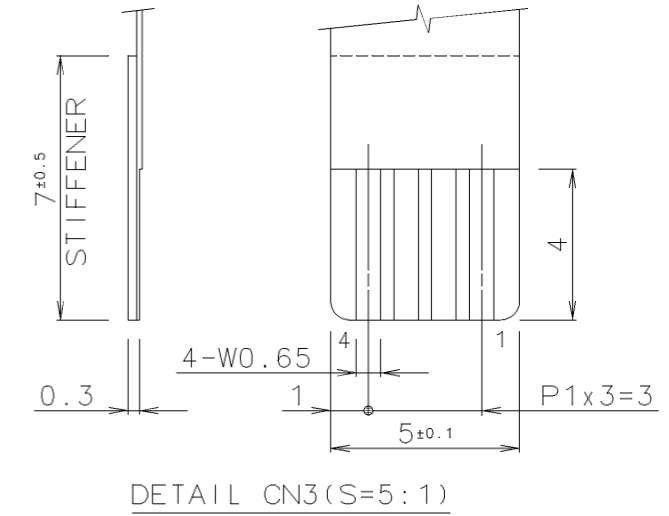
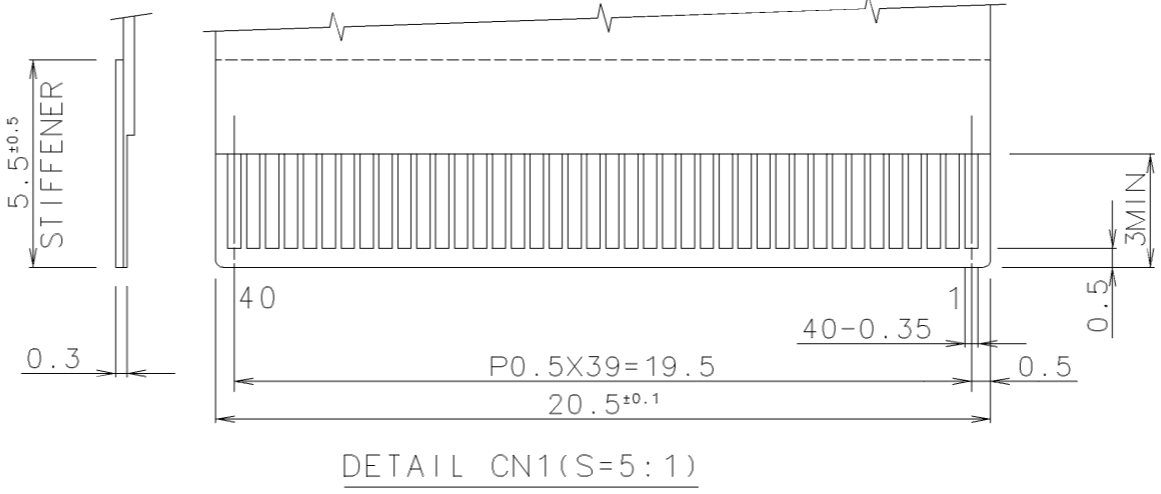
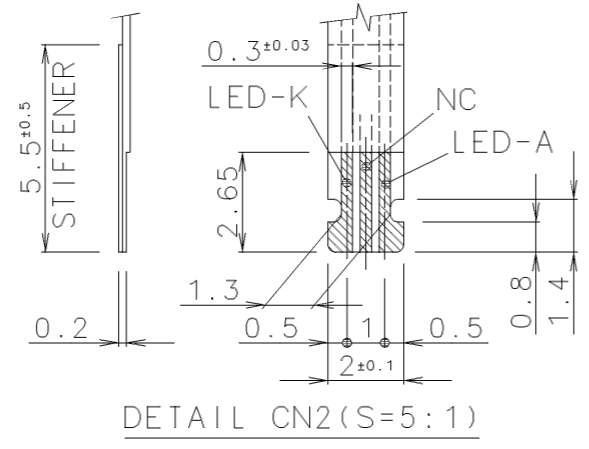
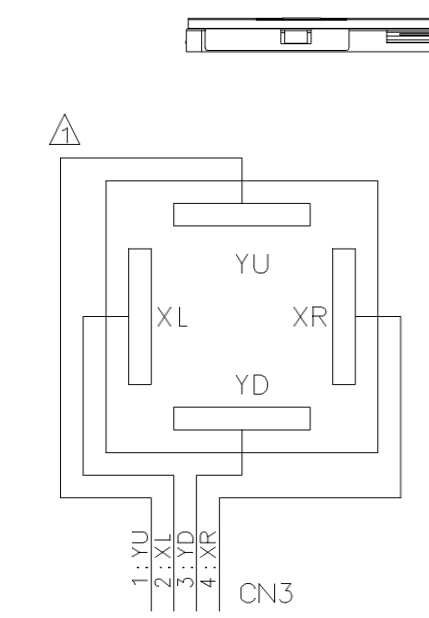
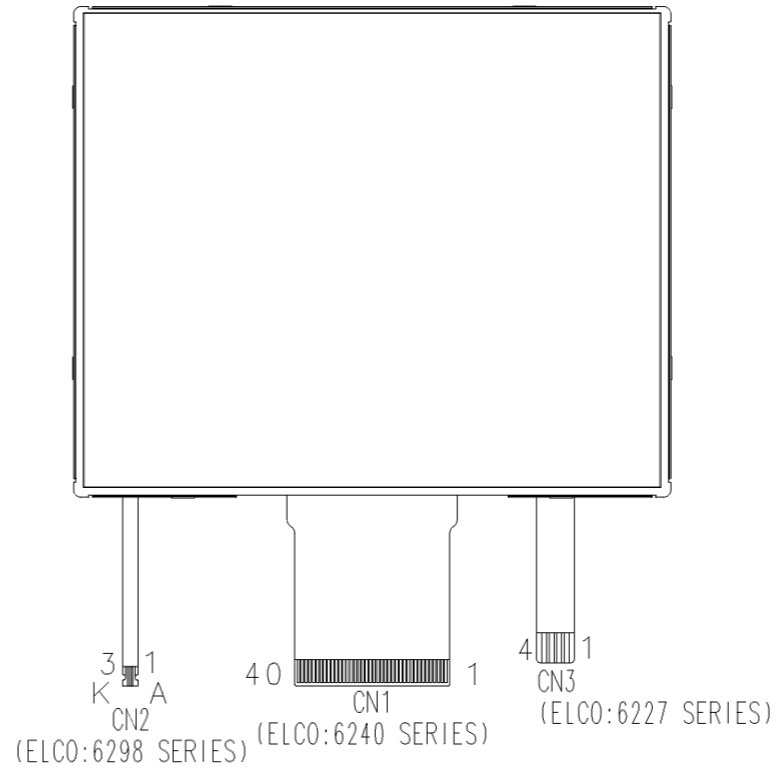
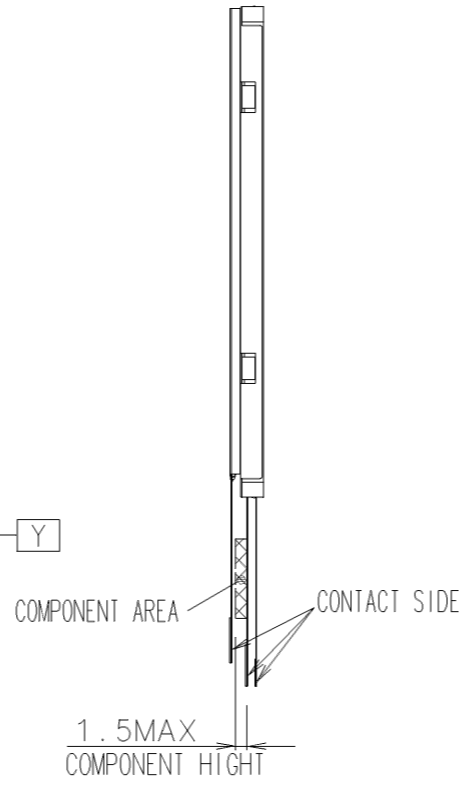
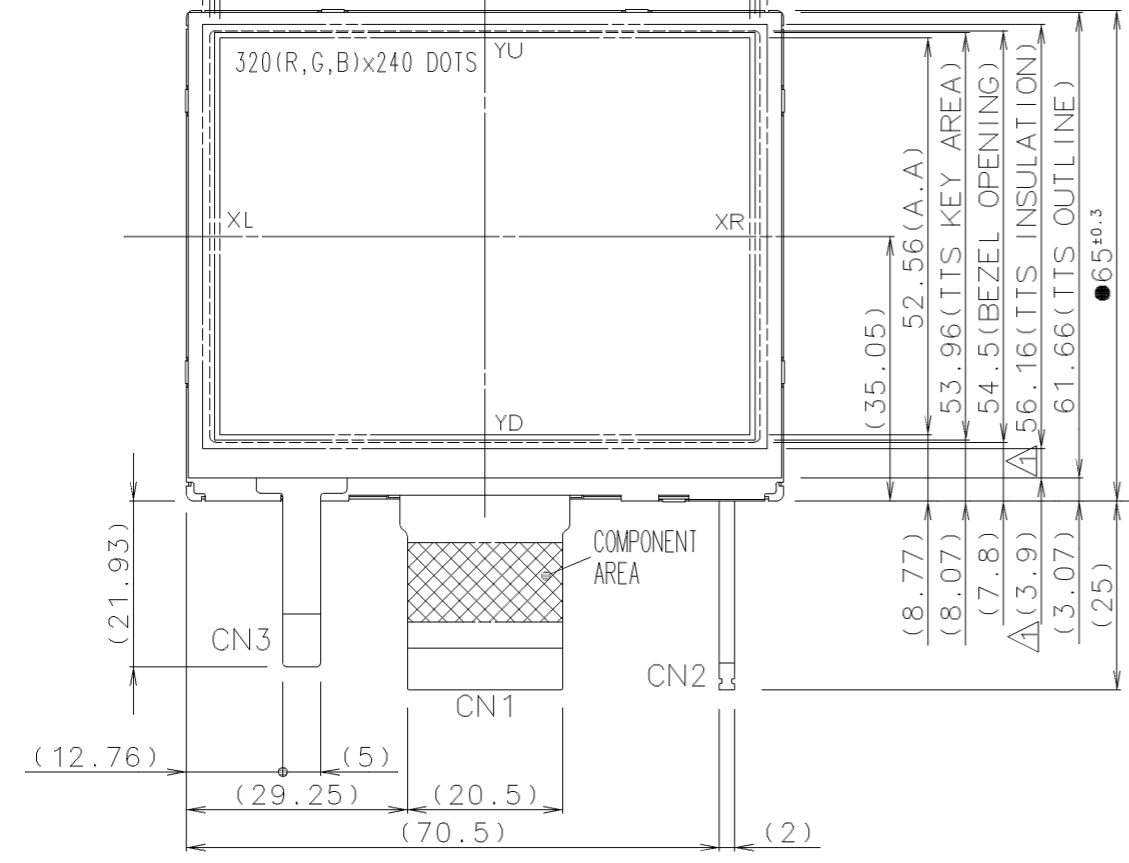
| NO. | SYMBOL | NO. | SYMBOL |
|-----|--------|-----|--------|
| 1 | RL | 21 | DB10 |
| 2 | TB | 22 | DB9 |
| 3 | DOTCLK | 23 | DB8 |
| 4 | VSYNC | 24 | GND |
| 5 | HSYNC | 25 | DB7 |
| 6 | ENABLE | 26 | DB6 |
| 7 | DB23 | 27 | DB5 |
| 8 | DB22 | 28 | DB4 |
| 9 | DB21 | 29 | DB3 |
| 10 | DB20 | 30 | DB2 |
| 11 | DB19 | 31 | DB1 |
| 12 | DB18 | 32 | DB0 |
| 13 | DB17 | 33 | SDI |
| 14 | DB16 | 34 | SCL |
| 15 | GND | 35 | CS |
| 16 | DB15 | 36 | RESET |
| 17 | DB14 | 37 | SDO |
| 18 | DB13 | 38 | GND |
| 19 | DB12 | 39 | VCC |
| 20 | DB11 | 40 | VCC |

CN2 PIN ASSIGNMENT

| NO. | SYMBOL | NO. | SYMBOL |
|-----|--------|-----|--------|
| 1 | LED-A | 3 | LED-K |
| 2 | NC | | |

△ CN3 PIN ASSIGNMENT

| NO. | SYMBOL | NO. | SYMBOL |
|-----|--------|-----|--------|
| 1 | YU | 3 | YD |
| 2 | XL | 4 | XR |



NOTE
THE DIMENSIONS WITH THE MARK(●) ARE CONTROLLED AS A PARTICULAR CHARACTERISTIC.

| TOLERANCE | | | MATERIAL: | | FINISH: | | |
|---------------|------|------|-----------|-----------------|------------------------|----------------|-----------|
| MEASURE | A | B | DATE | 2008/06/26 | THIRD ANGLE PROJECTION | | |
| L ≤ 16 | ±0.1 | ±0.3 | APPROVED | Noboru Wada | SCALE | | UNIT |
| 16 < L ≤ 63 | ±0.2 | ±0.5 | CHECKED | Yasuo Yamaguchi | 1:1 | | mm |
| 63 < L ≤ 250 | ±0.3 | ±0.8 | DRAWN | Satoshi Sano | DATE | | APR.22'08 |
| 250 < L ≤ 500 | ±0.5 | ±1.2 | | | DSGN | S. Sano | |
| 500 < L | ±0.8 | ±2 | | | DWG NO(CODE) | T-55343AE BASE | |
| ANGLE | ±1° | ±5° | ±10° | | DWG SIZE | A3 | |
| | | | | | DWG REV | A | |