

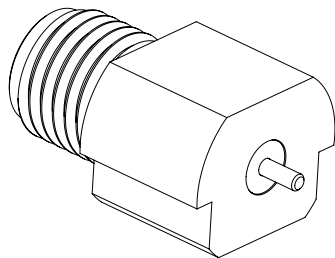
DO NOT SCALE FROM THIS PRINT

DESIGNED & DIMENSIONED IN MILLIMETERS [INCHES]

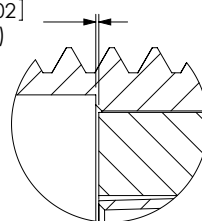
THIS PRODUCT MANUFACTURED WITH LEAD-FREE PROCESSING

SMA-J-P-X-ST-EM3

GENDER -J: JACK
 TYPE -P: PCB
 TERMINATION -EM3: DROP-IN EDGE MOUNT
 ORIENTATION -ST: STRAIGHT



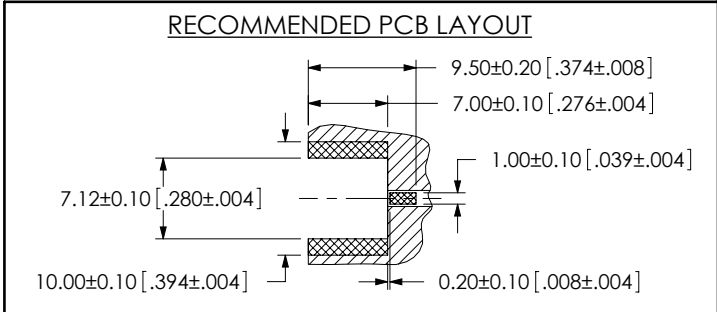
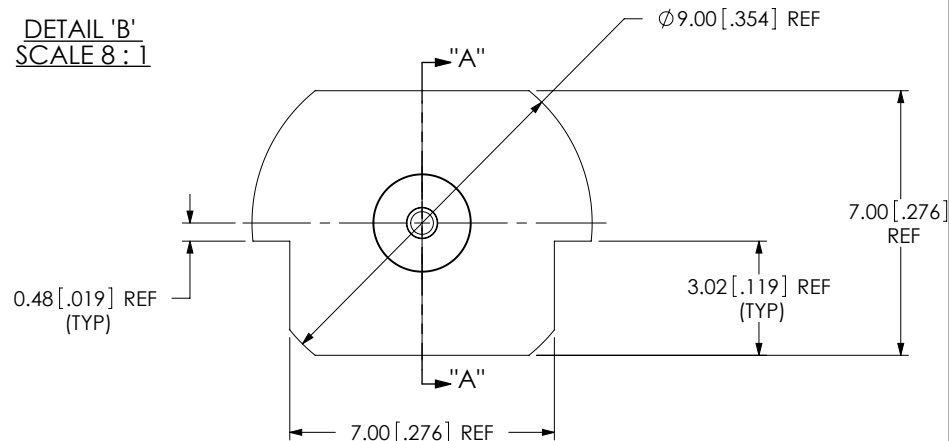
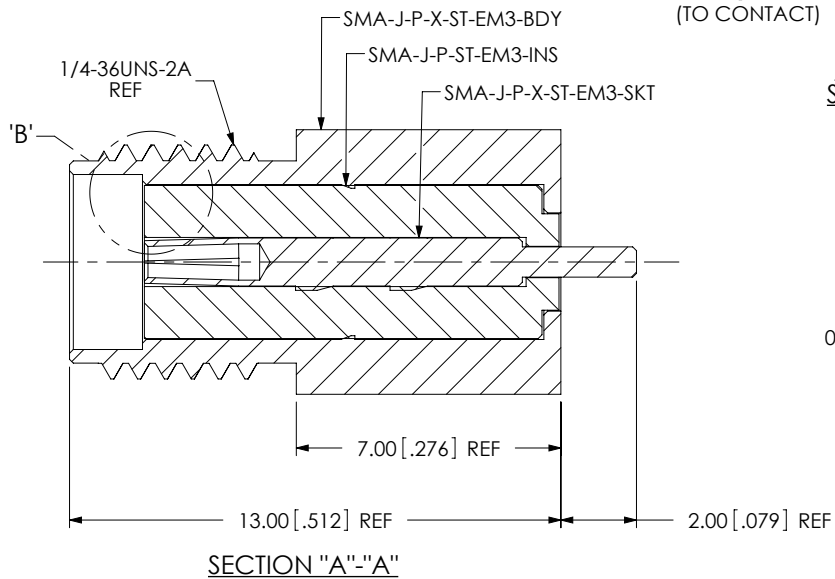
0.05±0.05 [.002±.002] (TO INSULATOR)



0.05±0.05 [.002±.002] (TO CONTACT)

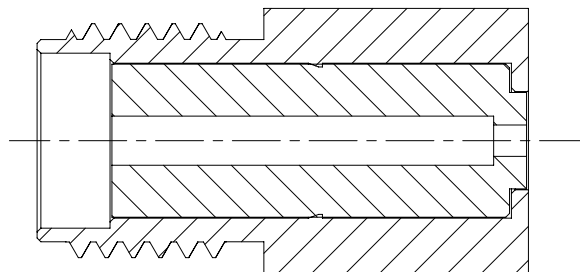
DETAIL 'B' SCALE 8:1

PLATING SPECIFICATION
 -H: HEAVY GOLD/FLASH GOLD (SEE NOTES 7 & 8)
 (SMA-J-P-F-ST-EM3-BDY)
 (SMA-J-P-H-ST-EM3-SKT)
 (SMA-J-P-ST-EM3-INS)

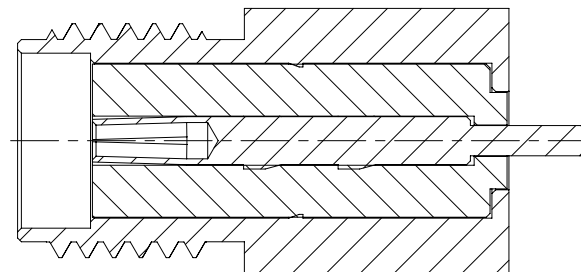


- NOTES:
- ⊕ REPRESENTS A CRITICAL DIMENSION.
 - PUSHOUT FORCE FOR INSULATOR: 44.48 N [10 LBS] MIN.
 - PUSHOUT FORCE FOR CENTER CONTACT: 13.35 N [3 LBS] MIN.
 - PRODUCT TO BE PACKAGED PER PACKAGING STANDARD CO-RF-WI-3040-M.
 - TRAY: TY-SMA001-1; COVER: TY-SMA001-2.
 - RoHS COMPLIANT.
 - COMPONENT PLATING DESIGNATIONS:
 -H: 0.000030" MIN. GOLD OVER 0.000050" MIN. NICKEL.
 -F: 0.000003" MIN. GOLD OVER 0.000050" MIN. NICKEL.
 - ASSEMBLY PLATING DESIGNATIONS:
 -H: (CENTER CONTACT)-H
 (OUTER CONTACT) -F

UNLESS OTHERWISE SPECIFIED, DIMENSIONS ARE IN MILLIMETERS. TOLERANCES ARE: DECIMALS ANGLES X.X: ±0.3 [.01] 5° X.XX: ±0.13 [.005] X.XXX: ±0.051 [.0020]	PROPRIETARY NOTE THIS DOCUMENT CONTAINS INFORMATION CONFIDENTIAL AND PROPRIETARY TO SAMTEC, INC. AND SHALL NOT BE REPRODUCED OR TRANSFERRED TO OTHER DOCUMENTS OR DISCLOSED TO OTHERS OR USED FOR ANY PURPOSE OTHER THAN THAT WHICH IT WAS OBTAINED WITHOUT THE EXPRESSED WRITTEN CONSENT OF SAMTEC, INC.	 520 PARK EAST BLVD, NEW ALBANY, IN 47150 PHONE: 812-944-6733 FAX: 812-948-5047 e-Mail info@SAMTEC.com code 53322
MATERIAL: DO NOT SCALE DRAWING BODY: BRASS CONTACT: COPPER ALLOY DIELECTRIC: PTFE	SHEET SCALE: 5:1 DESCRIPTION: SMA STRAIGHT, EDGE MOUNTING, JACK, 50 OHM DWG. NO. SMA-J-P-X-ST-EM3	BY: ALVIN W 07/25/2010 SHEET 1 OF 2



IN-PROCESS 1
INSERT INSULATOR



IN-PROCESS 2
INSERT CONTACT

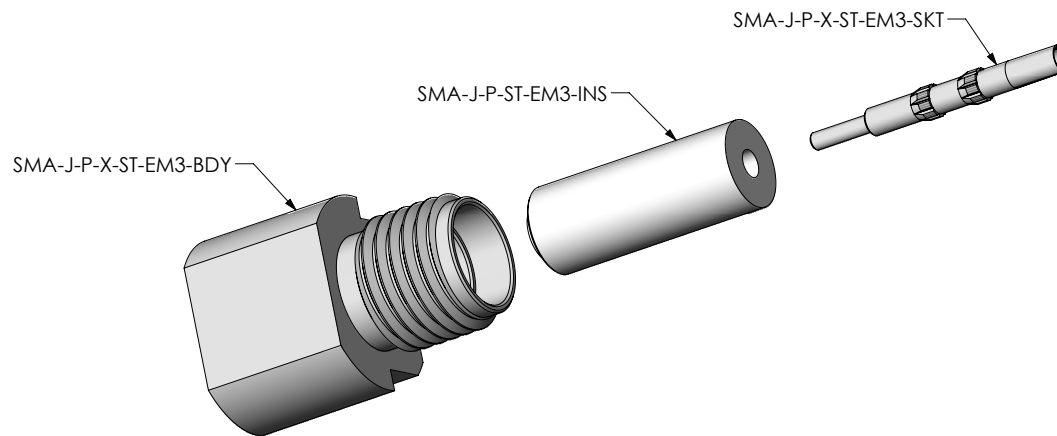


FIG 2
SMA-J-P-X-ST-EM3 SHONW

PROPRIETARY NOTE
THIS DOCUMENT CONTAINS INFORMATION
CONFIDENTIAL AND PROPRIETARY TO
SAMTEC, INC. AND SHALL NOT BE REPRODUCED
OR TRANSFERRED TO OTHER DOCUMENTS OR
DISCLOSED TO OTHERS OR USED FOR ANY
PURPOSE OTHER THAN THAT WHICH IT WAS
OBTAINED WITHOUT THE EXPRESSED WRITTEN
CONSENT OF SAMTEC, INC.

DO NOT SCALE DRAWING

SHEET SCALE: 5:1

samtec

520 PARK EAST BLVD, NEW ALBANY, IN 47150
PHONE: 812-944-6733 FAX: 812-948-5047
e-Mail info@SAMTEC.com code 55322

DESCRIPTION:
SMA STRAIGHT, EDGE MOUNTING, JACK, 50 OHM

DWG. NO. SMA-J-P-X-ST-EM3

BY: ALVIN W 07/25/2010 SHEET 2 OF 2