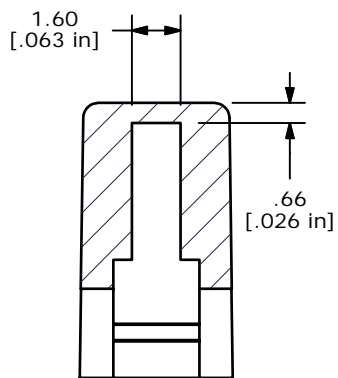
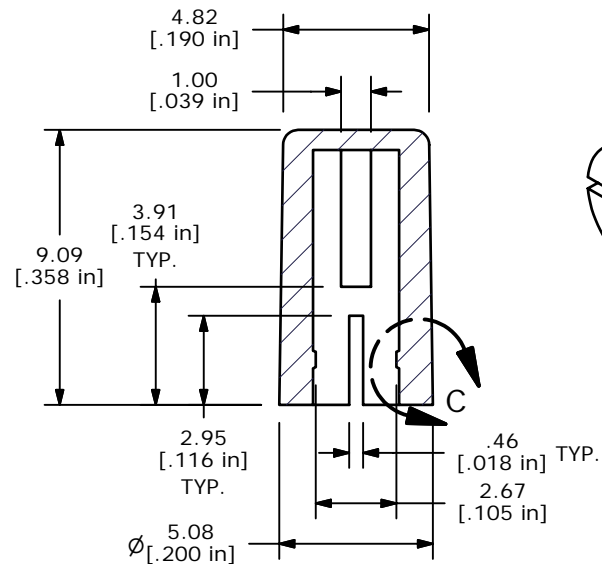


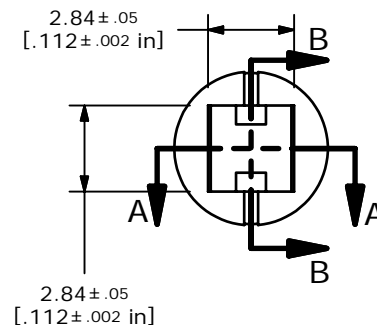
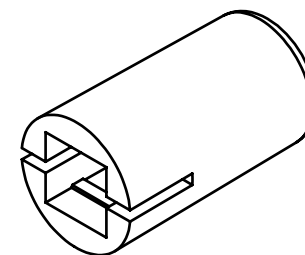
DETAIL C
SCALE 16 : 1



SECTION B-B
SCALE 4 : 1



SECTION A-A
SCALE 4 : 1



NOTES:

1. ALL DIMENSIONS IN MM [INCH]
2. GENERAL TOLERANCE: X.XX=±0.15
- ▲ 3. MATERIAL: ABS, UL94V0
- ▲ 4. COLOR: GRAY, PANTONE COOL GRAY 11C
5. ▲ DENOTES CRITICAL PARAMETER.

E-SWITCH®

A	15230	RELEASED FOR PRODUCTION	9/8/05	PH
REV	PCR NO	DESCRIPTION	DATE	BY

TITLE 1RDGR				
SCALE 4:1	DATE 9/8/2005	DR PH	DWG Q800304	REV A

THE INFORMATION CONTAINED IN THIS DOCUMENT IS PROPRIETARY TO E-SWITCH AND IS NOT TO BE COPIED OR TRANSFERRED