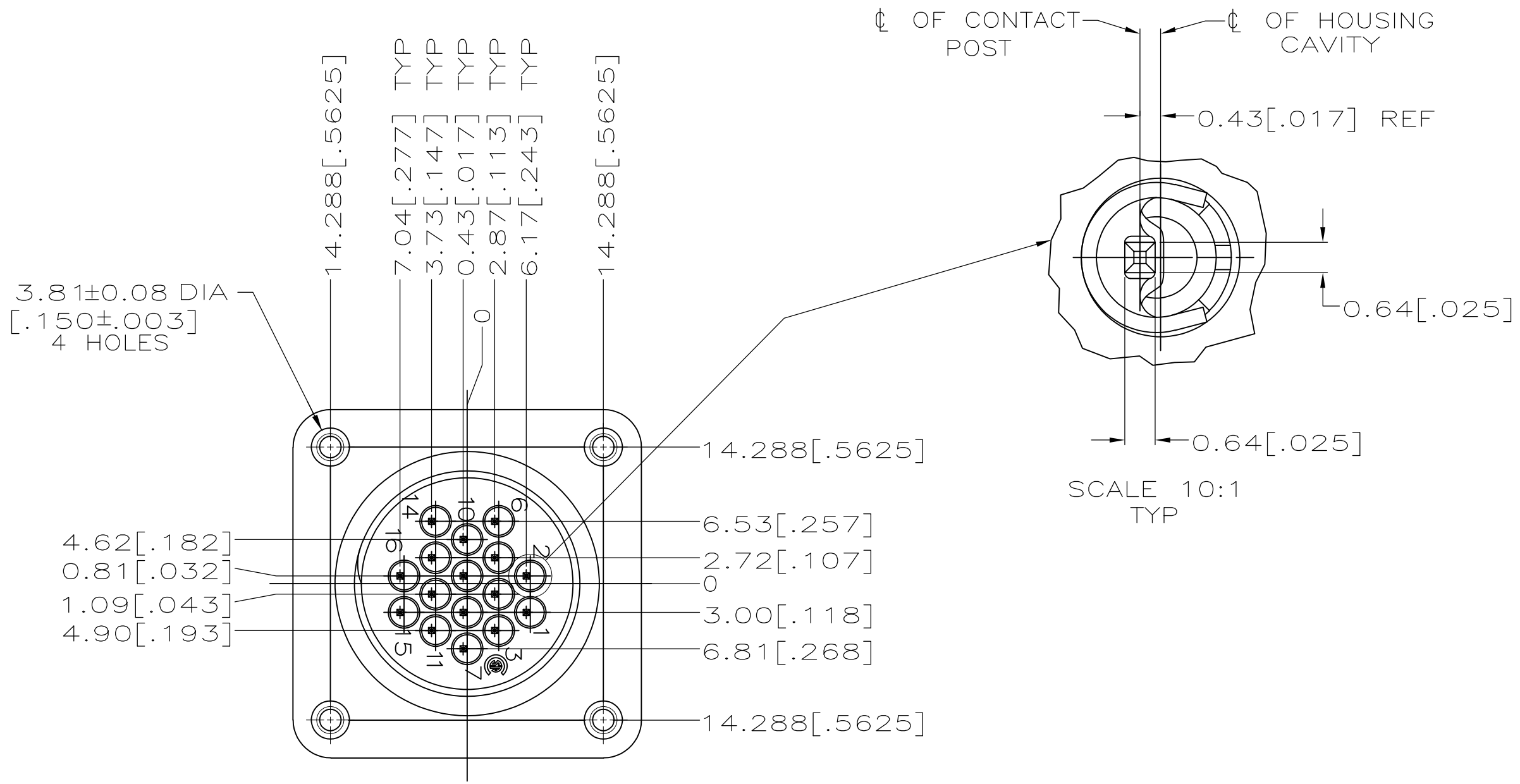
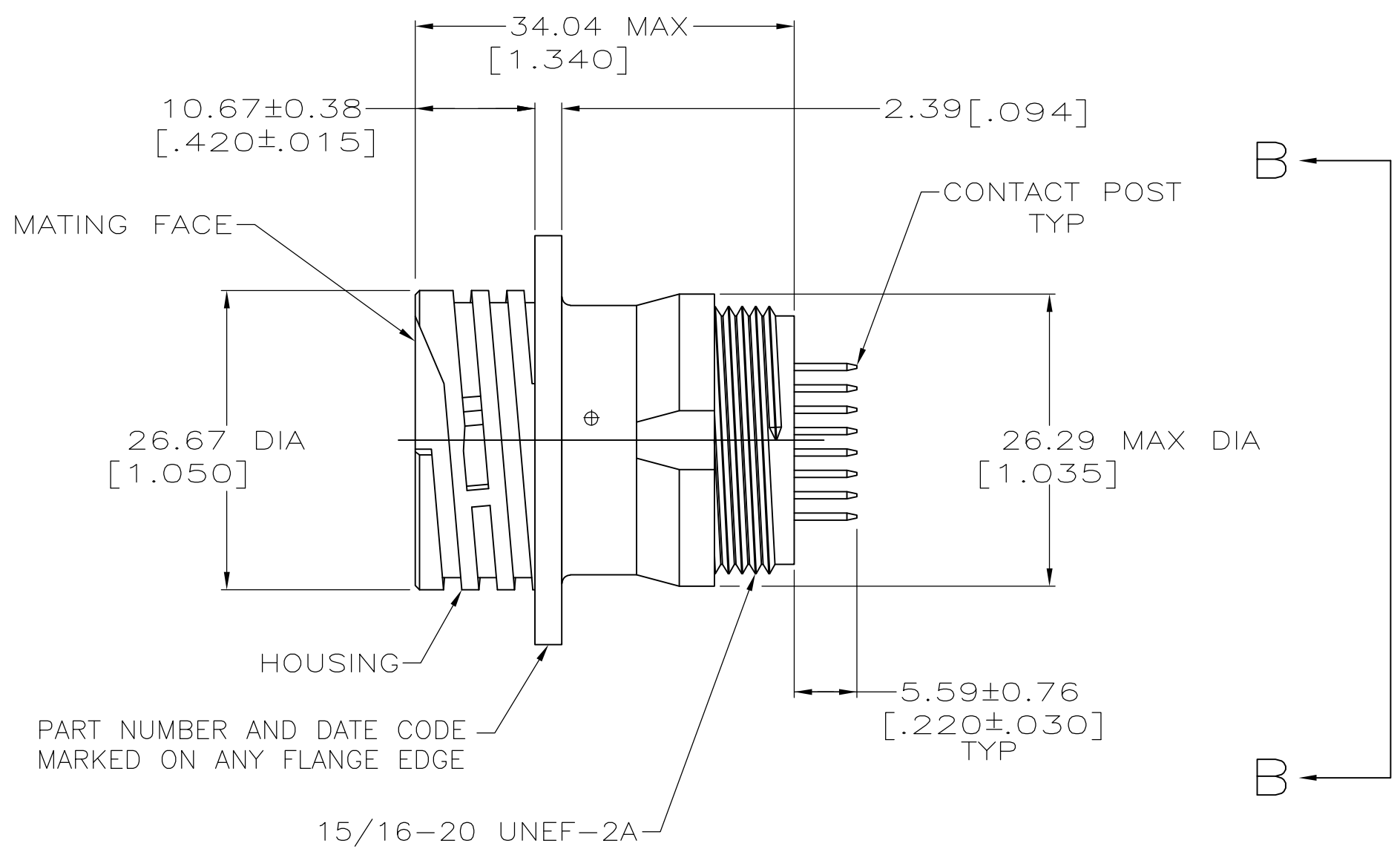
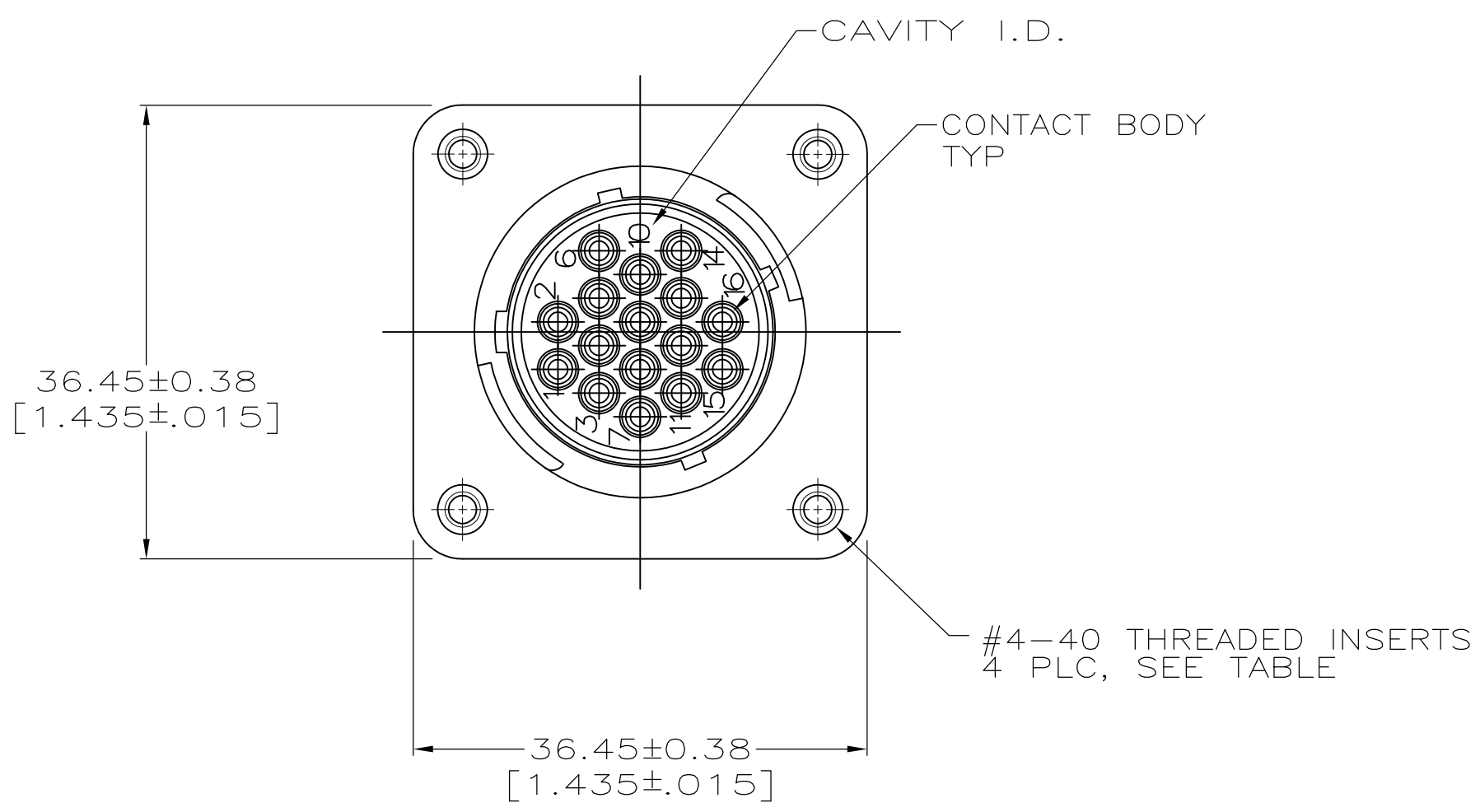


THIS DRAWING IS UNPUBLISHED. RELEASED FOR PUBLICATION
 © COPYRIGHT - By - ALL RIGHTS RESERVED.

LOC		DIST		REVISIONS					
FT		0		P	LTR	DESCRIPTION	DATE	DWN	APVD
				D		REVISED PER ECO-12-015665	26SEP12	KH	MZ



- 1 NYLON, UL 94V-0 RATED, BLACK.
- 2 STAINLESS STEEL.
- 3 BRASS.
- 4 CONTACT BODY: $0.76\mu\text{m}$ [.000030] MIN GOLD FOR A LENGTH OF 5.08 [.200] MIN FROM MATING END. GOLD FLASH ON REMAINDER, BOTH OVER $1.27\mu\text{m}$ [.000050] MIN NICKEL. CONTACT POST: $2.54\mu\text{m}$ [.000100] MIN TIN-LEAD OVER $1.27\mu\text{m}$ [.000050] MIN NICKEL.
- 5 RECOMMENDED PC BOARD HOLE SIZE FOR CONTACT POST = 0.89 ± 0.08 [.035 ± .003] DIA..
- 6 CONTACT BODY: $0.76\mu\text{m}$ [.000030] MIN GOLD FOR A LENGTH OF 5.08 [.200] MIN FROM MATING END. GOLD FLASH ON REMAINDER, BOTH OVER $1.27\mu\text{m}$ [.000050] MIN NICKEL. CONTACT POST: $2.54\mu\text{m}$ [.000100] MIN TIN OVER $1.27\mu\text{m}$ [.000050] MIN NICKEL.
- 7 OBSOLETE PARTS: OBSOLETE CIS STREAMLINING PER D.RENAUD/D.SINISI

6	YES	213855-4
6	NO	213855-3
4	YES	213855-2
4	NO	213855-1
7	OBSOLETE	
FINISH	THREADED INSERTS	PART NUMBER

VIEW B-B

THIS DRAWING IS A CONTROLLED DOCUMENT.

DWN	D.HARDY	01-03-95
CHK	R.STONE	01-09-95
APVD	-	-
PRODUCT SPEC	108-10024	
APPLICATION SPEC	114-10038	
WEIGHT	-	

MATERIAL: 1 HOUSING: 2 CONTACT SPRING: 3 CONTACT BODY & POST: 4 FINISH: -

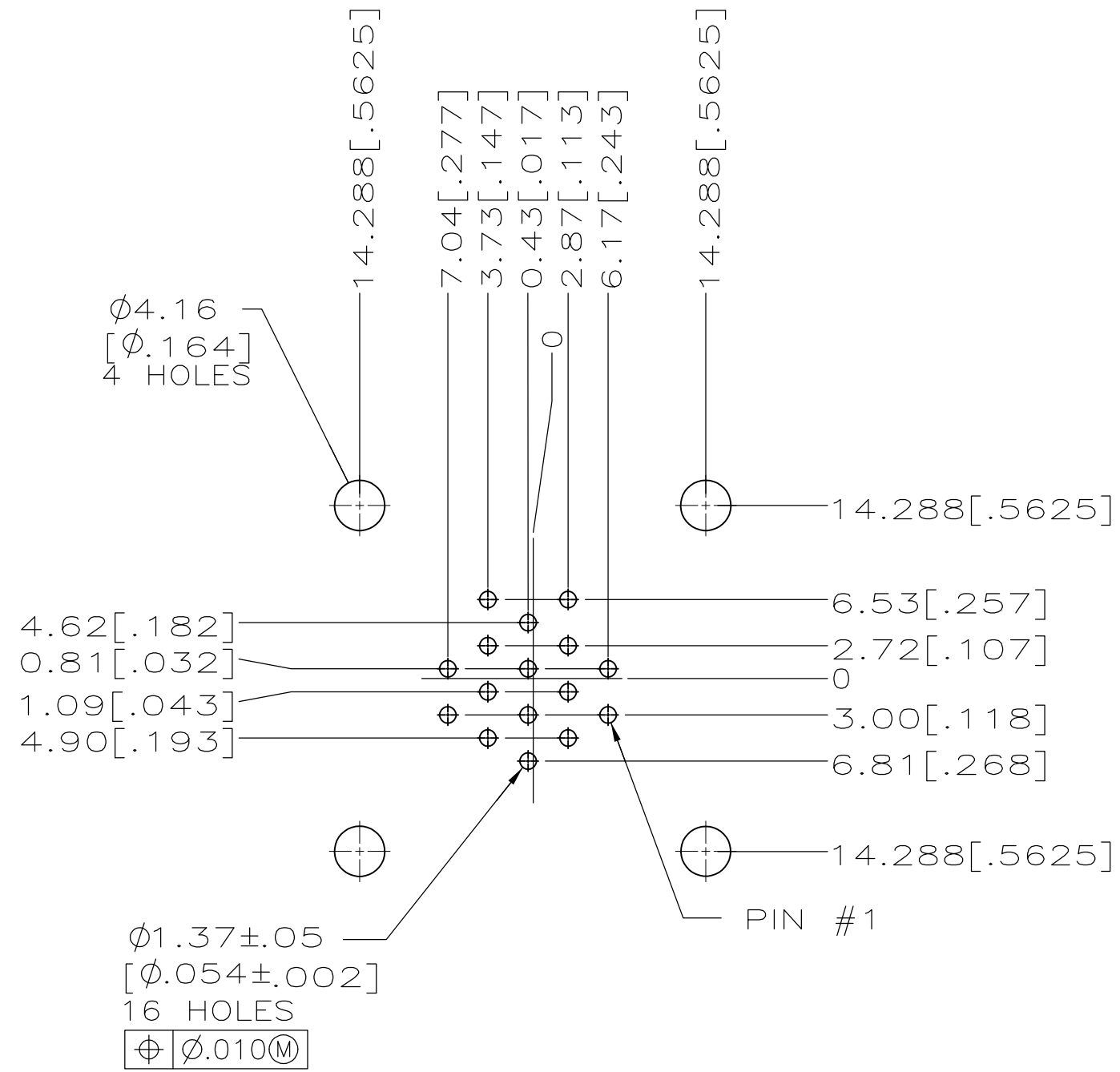
TE Connectivity
 RECEPTACLE ASSEMBLY, POSTED, STANDARD SEX, 17-16, CPC

SIZE: A2 CAGE CODE: 00779 DRAWING NO: C=213855 RESTRICTED TO: -

CUSTOMER DRAWING SCALE: 2:1 SHEET: 1 OF 2 REV: D

THIS DRAWING IS UNPUBLISHED. RELEASED FOR PUBLICATION
 © COPYRIGHT - By - ALL RIGHTS RESERVED.

LOC	DIST	REVISIONS					
FT	0	P	LTR	DESCRIPTION	DATE	DWN	APVD
		-	-	SEE SHEET 1	-	-	-



RECOMMENDED P.C. BOARD LAYOUT

THIS DRAWING IS A CONTROLLED DOCUMENT.		DWN D.HARDY 01-03-95																				
DIMENSIONS: mm [INCHES]		CHK R.STONE 01-09-95																				
TOLERANCES UNLESS OTHERWISE SPECIFIED:		APVD -	NAME																			
<table border="0"> <tr><td>0 PLC</td><td>±</td><td>-</td></tr> <tr><td>1 PLC</td><td>±</td><td>-</td></tr> <tr><td>2 PLC</td><td>±</td><td>0.25 [.010]</td></tr> <tr><td>3 PLC</td><td>±</td><td>-</td></tr> <tr><td>4 PLC</td><td>±</td><td>-</td></tr> <tr><td>ANGLES</td><td>±</td><td>-</td></tr> </table>		0 PLC	±	-	1 PLC	±	-	2 PLC	±	0.25 [.010]	3 PLC	±	-	4 PLC	±	-	ANGLES	±	-	PRODUCT SPEC 108-10024	RECEPTACLE ASSEMBLY, POSTED, STANDARD SEX, 17-16, CPC	
0 PLC	±	-																				
1 PLC	±	-																				
2 PLC	±	0.25 [.010]																				
3 PLC	±	-																				
4 PLC	±	-																				
ANGLES	±	-																				
MATERIAL HOUSING:		APPLICATION SPEC 114-10038	SIZE A2	CAGE CODE 00779																		
CONTACT SPRING:		WEIGHT -	DRAWING NO C=213855	RESTRICTED TO -																		
CONTACT BODY & POST:		FINISH CONTACT:	SCALE 2:1 SHEET 2 OF 2 REV D																			
CUSTOMER DRAWING																						