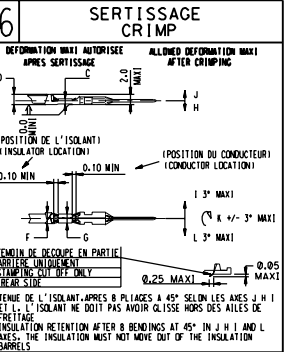
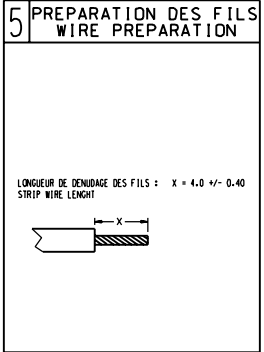
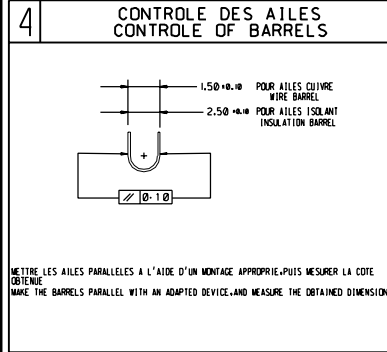
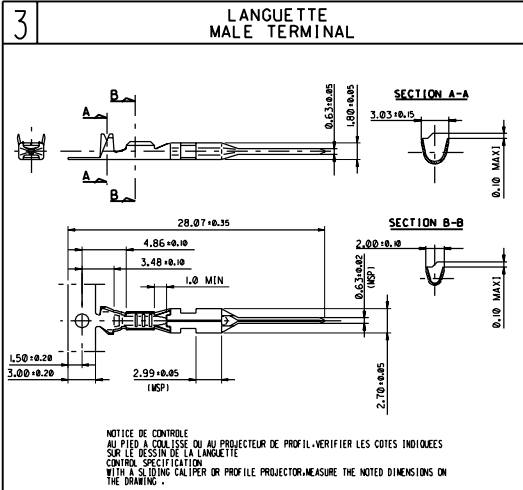
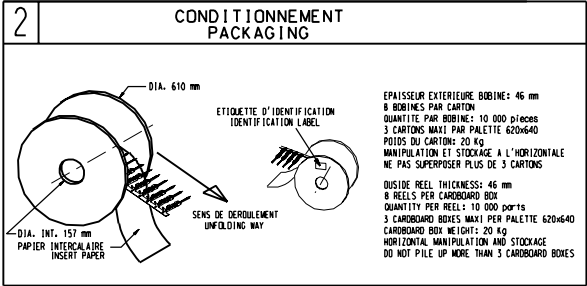


CONTROLE LANGUETTE / CONTROLE MALE CONTACT

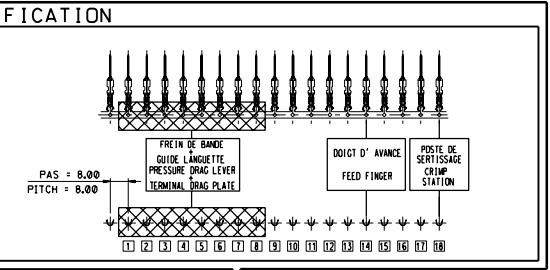
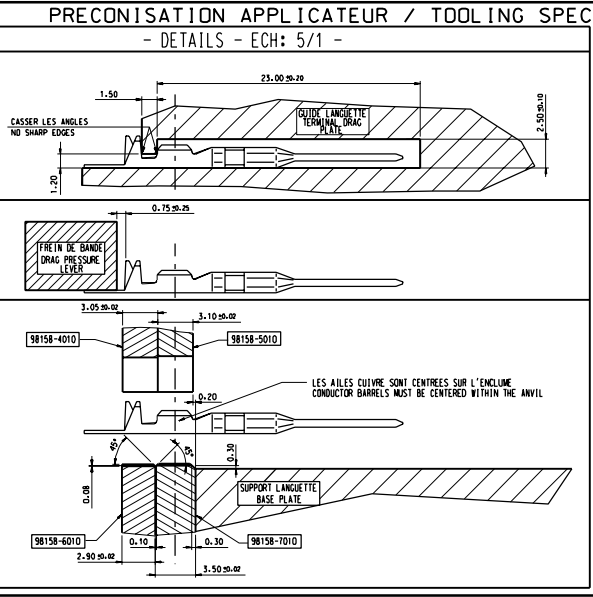
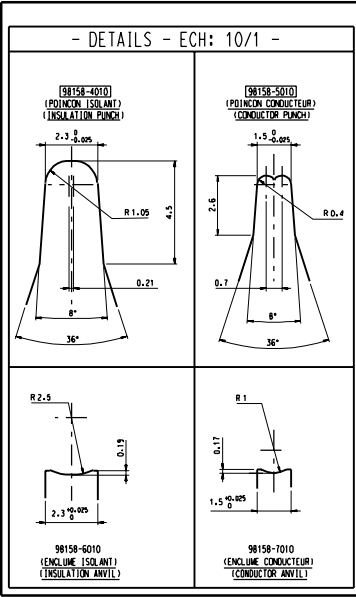
### 1 SERTISSAGE / CRIMPING

FIL / WIRE		CONTACT / TERMINAL REFERENCES PART #		PARAMETRES DE SERTISSAGE / CRIMPING PARAMETERS	
TYPE	SECTION REELLE / REAL SECTION	MOLEX	R.N.R.	REFERENCES OUTIL / TOOL #	FRETTAGE ISOLANT / INSULATION BARREL
0.22 R1	0.22 mm <sup>2</sup>	7	0.25	28	128 ± 0.05
0.35 R1 R3	0.34 mm <sup>2</sup>	7	0.25	130	130 ± 0.05
0.50 D3	0.34 mm <sup>2</sup>	7	0.25	129	130 ± 0.05
0.50 R1 R3	0.478 mm <sup>2</sup>	13	0.35	130	130 ± 0.05
0.50 D3	0.478 mm <sup>2</sup>	13	0.35	130	130 ± 0.05
0.60 R1 R3	0.59 mm <sup>2</sup>	12	0.35	130	130 ± 0.05



### TABLEAU DE COMPATIBILITE / COMPATIBILITY CHART

LANGUETTES 0,635 MALE CKT		MODULES PORTE LANGUETTES MALE / MODULE 0,635		ACCOUPLLEMENT AVEC CLIP 0,635 MATING WITH FEMALE CKT	
REFERENCE PART NUMBER	RNJR REFERENCE PART NUMBER	98592-0001/02/03/04 (INDEX C1)	98592-0001/02/03/04 (INDEX D)	98587-0004 (INDEX A8A1)	98587-0014 (INDEX B)
98588-0004	7 703 297 813/814/815/816	OUI / YES	OUI / YES	OUI / YES	OUI / YES



### TOLERANCES APPLICATEUR / TOOLING TOLERANCES:

RAYONS / RADIUS	± 0.05
ANGLE / ANGLE	± 0°05'
SYMETRIE / SYMETRY	0.03
DIMENSION / DIMENSION	± 0.05

CONFORME C.D.C.: 36-05-019  
DATE: 02/88

H 81/81/26	ADJUTE PARAMETRES DE SERTISSAGE POUR FILS 0,22mm <sup>2</sup> / ADD CRIMPING PARAMETERS FOR WIRES 0,22mm <sup>2</sup>
G 99/99/26	ADJUTE SERTISSAGE POUR FILS 0,50mm <sup>2</sup> ISOLANT ENDUIGNE / ADD CRIMPING FOR REDUCED INSULATION WIRES
F 99/99/25	ADJUT ORIENTATION DU CORPS DE LA LANGUETTE EN FACE ARRIERE / ADD TAB BODY CLOSURES ON THE REAR FACE
E 98/98/16	ADJUTE TABLEAU DE COMPATIBILITE - ADJUTE SERTISSAGE 0,5mm <sup>2</sup> / MODIFICATION (2,75x/0,85) BEVENT 2,99x/0,85 / ADD COMPATIBILITY CHART - ADD CRIMPING 0,5mm <sup>2</sup> / NOTE: 2,25x/0,85 WILL BE 2,99x/0,85
00 98/98/26	MODIFICATION NOTICE OF CONTROL OF SERTISSAGE (SECTION 6) / CRIMP CONTROL SPECIFICATION CHANGE (TO SEE BOX 6)
D1 97/97/16	MODIFICATION NOTICE OF CONTROL (SECTION 3) / CONTROL SPECIFICATION CHANGE (TO SEE BOX 3)
D 97/96/26	MODIFICATION CONTROL SERTISSAGE (SECTION 6) / CRIMP CONTROL CHANGE (TO SEE BOX 6)

NO. DATE / REVISION

984928

LANGUETTE 0,635 mm PRE-ETAME

WAH 65660

7 703 497 689

RENAULT