

THIS DRAWING IS UNPUBLISHED. RELEASED FOR PUBLICATION. ALL RIGHTS RESERVED.

Table with columns: Loc (FT), DIST (0), REVISIONS (P, LTR, DESCRIPTION, DATE, DWN, APVD), REVISED PER ECO-11-023039, 21FEB12, KH, MS.

MATERIAL: HOUSING: THERMOPLASTIC, UL94V-2, BLACK. TERMINAL: BRASS, BRIGHT TIN PLATED. SCREWS: 6-32, STEEL, ZINC PLATED W/ CLEAR CHROMATE, UNLESS OTHERWISE SPECIFIED. ELECTRICAL: MAXIMUM CURRENT: 20A. OPERATING VOLTAGE: 600V. WIRE RANGE: 12-22 AWG MAX. ENVIRONMENT: OPERATING TEMP.: -60°C TO +105°C.

- 1 SCREWS ARE NICKEL PLATED BRASS.
2 INK MARKED AS SHOWN.
3 SEE FIGURE.
4 PRELIMINARY PART NUMBER.
5 OBSOLETE PARTS: OBSOLETE CIS STREAMLINING PER D.RENAUD/D.SINISI
6 ALL SCREWS BOTTOMED, TORQUE 2 TO 4 IN-LBS.

Main parts list table with columns: DIM B, DIM A, JUMPER, various QC TAB types (90° BEND, STRAIGHT, 45° BEND), SSB7 BUSHING, NO. OF POS., CATALOG NUMBER, PART NUMBER. Includes circled numbers 10, 9, 8, 7, 6, 5, 4, 3, 2, 1.

Controlled document information including: THIS DRAWING IS A CONTROLLED DOCUMENT, DIMENSIONS INCHES, TOLERANCES UNLESS OTHERWISE SPECIFIED, MATERIAL, FINISH, DWN S SCHLGE, CHK S YODER, APVD S YODER, PRODUCT SPEC, APPLICATION SPEC, WEIGHT, CUSTOMER DRAWING, TE Connectivity logo, SSB7CGXX0301, SIZE A2, CAGE CODE 00779, DRAWING NO C-8-796602-0, RESTRICTED TO, SCALE NTS, SHEET 1 OF 4, REV P.

THIS DRAWING IS UNPUBLISHED. RELEASED FOR PUBLICATION
 © COPYRIGHT - By - ALL RIGHTS RESERVED.

LOC	DIST	REVISIONS					
FT	0	P	LTR	DESCRIPTION	DATE	DWN	APVD
		-	-	SEE SHEET 1	-	-	-

SELECT LOAD CHART

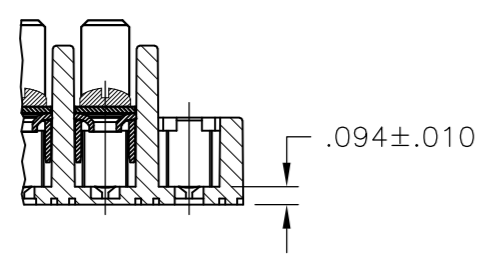
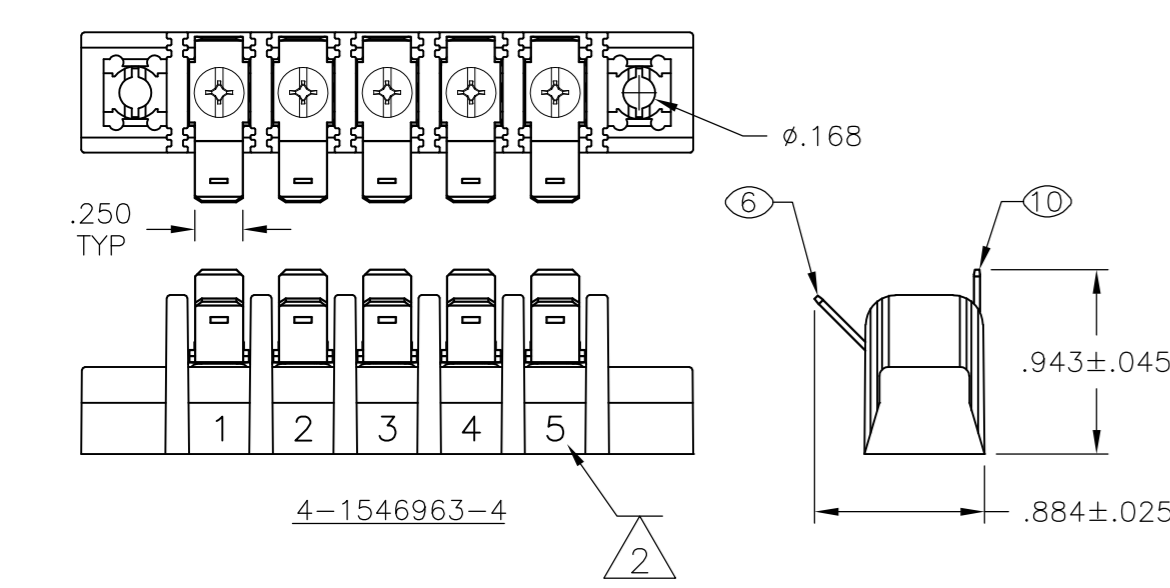
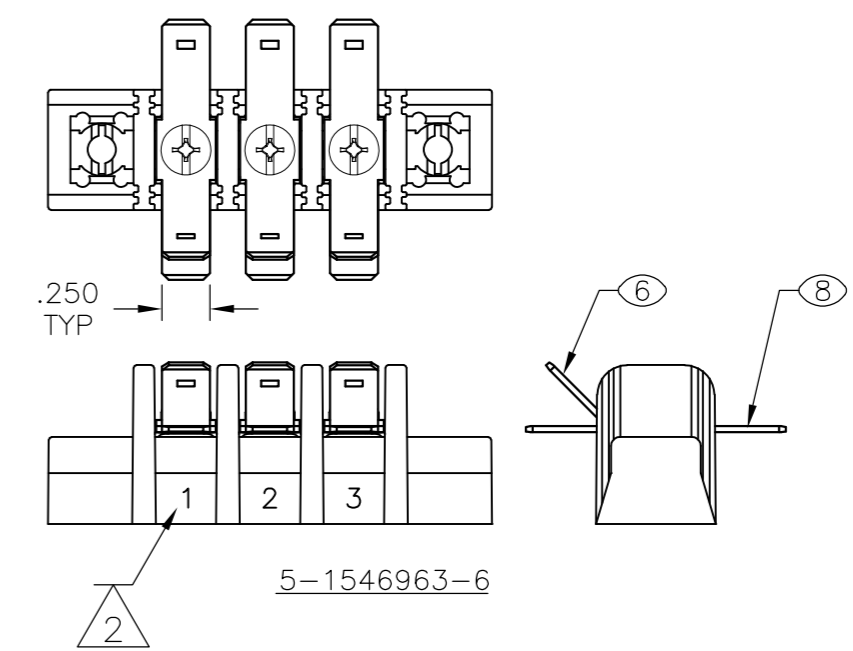
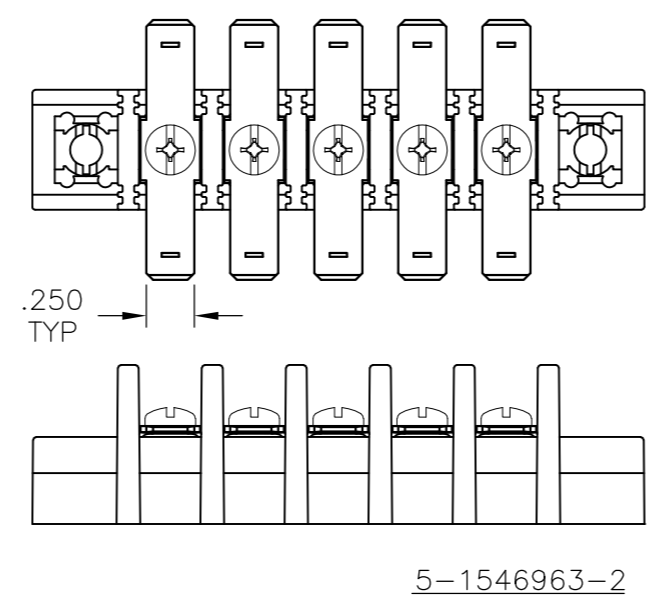
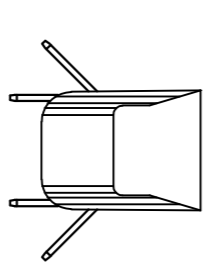
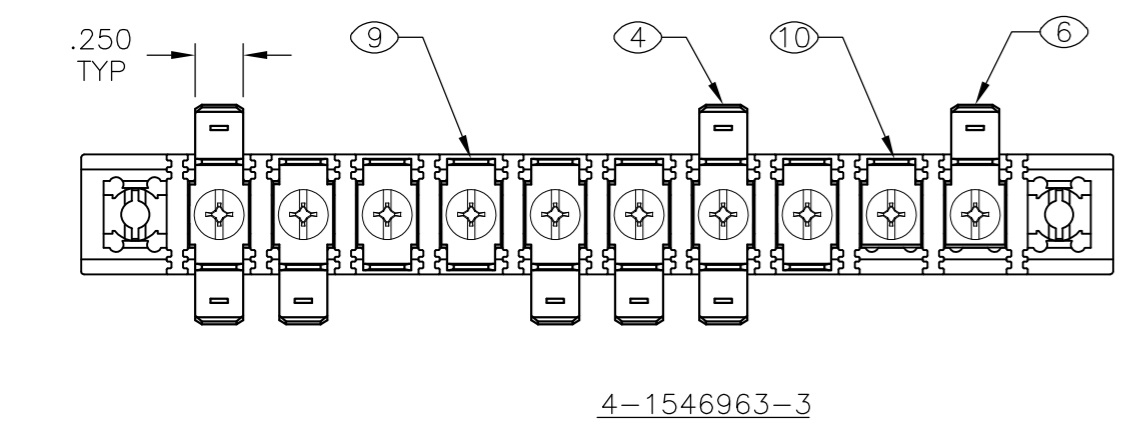
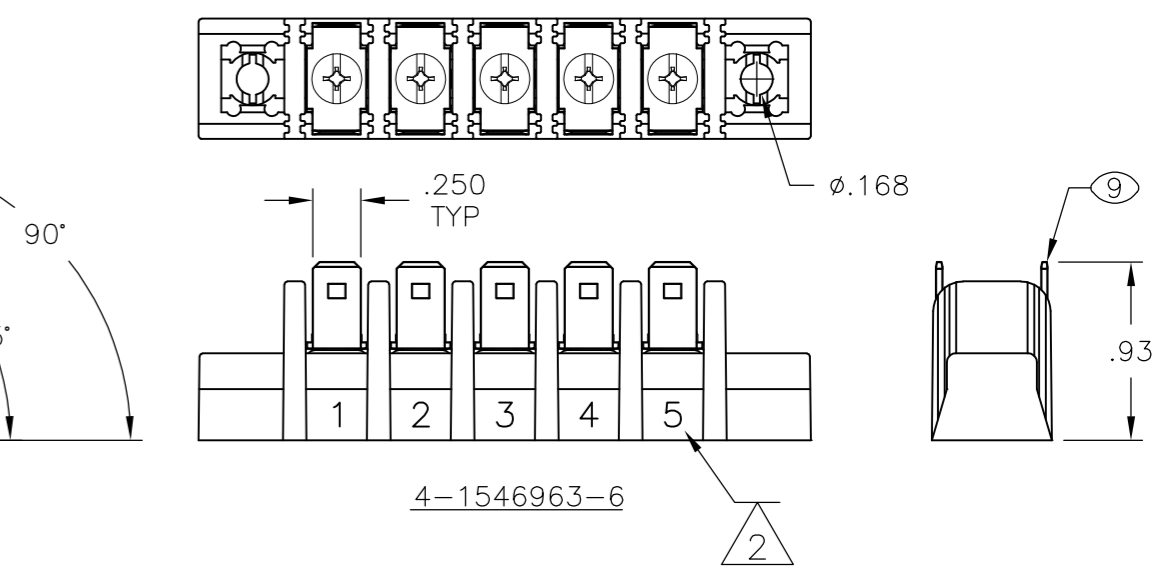
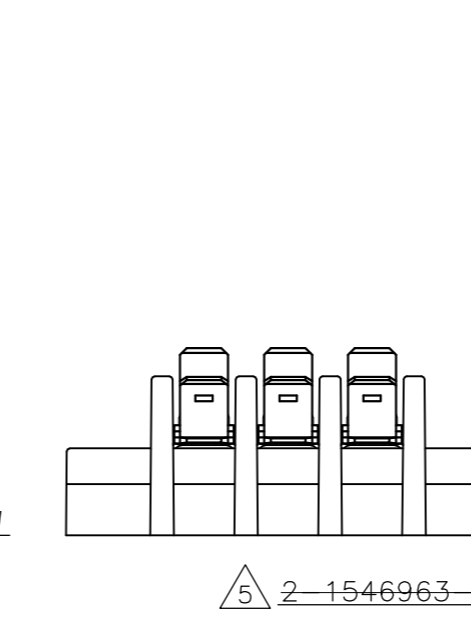
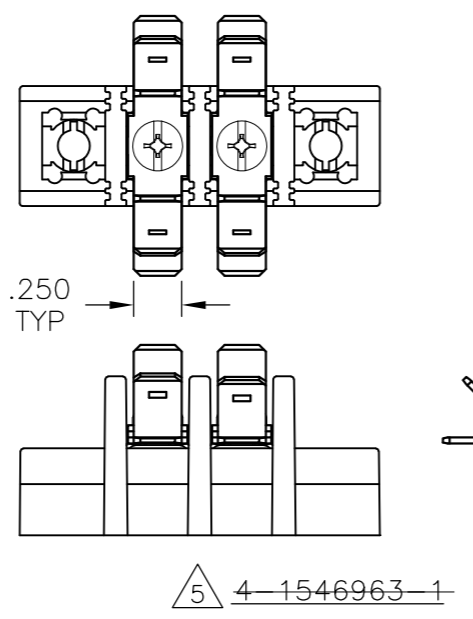
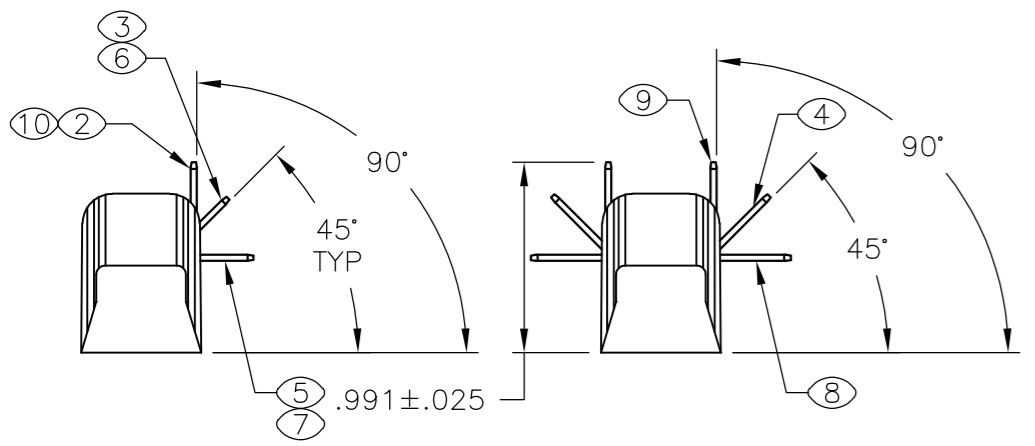
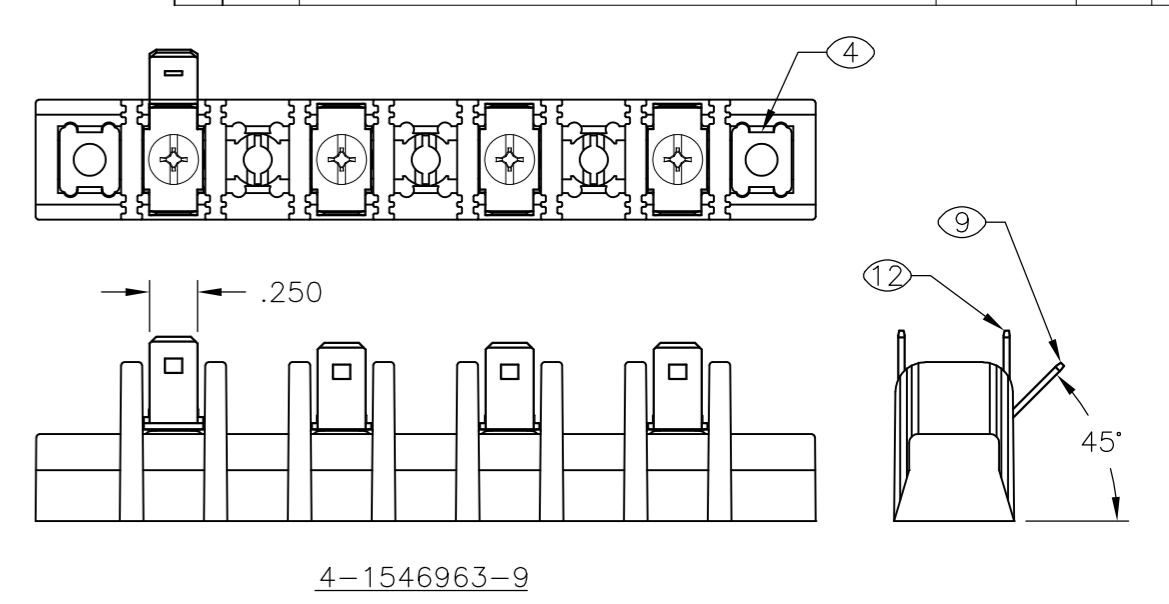
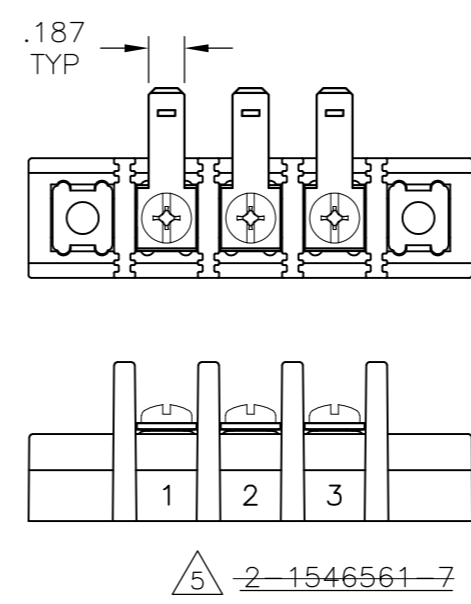
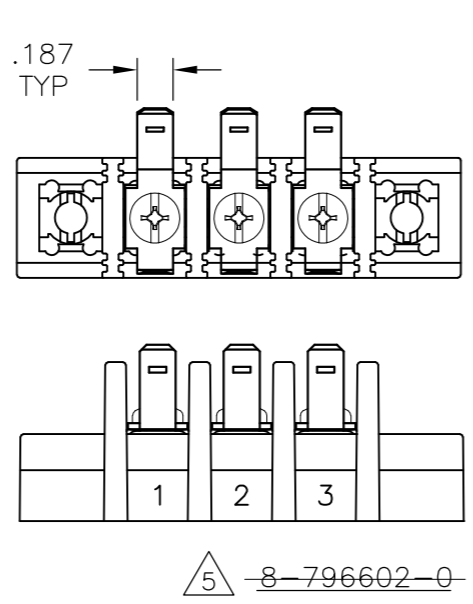
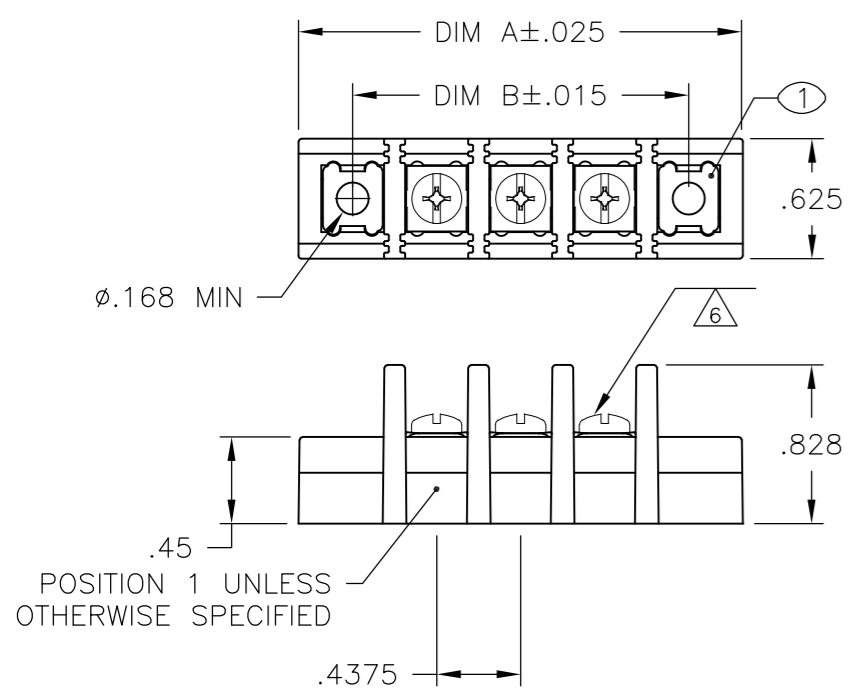
9,10	1-8	1-8	9,10	9,10	-	1-8	-	-	10	SSB7N2030	5-1546963-8
1-8	9,10	-	-	2,5,6,10	-	1,7	-	-	10	SSB7N2025	4-1546963-3
ALL	ALL	2,3,4	-	-	-	-	-	-	7	SSB7N2019	3-1546963-8
ALL	ALL	3,4	-	-	-	-	-	-	7	SSB7N2017	3-1546963-2
-	-	ALL	-	-	-	2,4	-	-	6	SSB7N2016	3-1546963-1
-	1,3,5,7	-	-	1	-	-	-	-	4	SSB7CG04032224	4-1546963-9
.250 QC TAB 90° BEND SGL SIDED ⑩	.250 QC TAB 90° BEND DBL SIDED ⑨	.250 QC TAB STRAIGHT DBL SIDED ⑧	.250 QC TAB STRAIGHT SGL SIDED ⑦	.250 QC TAB 45° BEND SGL SIDED ⑥	.187 QC TAB STRAIGHT SGL SIDED ⑤	.250 QC TAB 45° BEND DBL SIDED ④	.187 QC TAB 45° BEND SGL SIDED ③	.187 QC TAB 90° BEND SGL SIDED ②	NO. OF POS.	CATALOG NUMBER	PART NUMBER
POSITIONS LOADED											

11.375	11.937	-	-	-	-	-	-	-	-	-	-	YES	25	SSB70G250301	2-1546963-5
10.937	11.500	-	-	-	-	-	-	-	-	-	-	YES	24	SSB70G240301	2-1546963-4
10.500	11.062	-	-	-	-	-	-	-	-	-	-	YES	23	SSB70G230301	2-1546963-3
10.062	10.625	-	-	-	-	-	-	-	-	-	-	YES	22	SSB70G220304	6-1546963-1
10.062	10.625	-	-	-	-	-	-	-	-	-	-	YES	22	SSB70G220301	2-1546963-2
9.625	10.187	-	-	-	-	-	-	-	-	-	-	YES	21	SSB70G210301	2-1546963-1
④ 9.187	9.750	-	-	-	-	-	-	-	-	-	-	YES	20	SSB70G200301	2-1546963-0
8.750	9.312	-	-	-	-	-	-	-	-	-	-	YES	19	SSB7CG190301	1-1546963-9
8.313	8.875	-	-	-	-	-	-	-	-	-	-	YES	18	SSB7CG180301	1-1546963-8
7.875	8.437	-	-	-	-	-	-	-	-	-	-	YES	17	SSB7CG170301	1-1546963-7
7.437	8.000	-	-	-	-	-	-	-	-	-	-	YES	16	SSB7CG160301	1-1546963-6
7.000	7.562	-	-	-	-	-	-	-	-	-	-	YES	15	SSB7CG150301	1-1546963-5
① ③ ④ 6.562	7.125	-	-	14	-	-	-	-	14	-	-	YES	14	SSB7N2020	3-1546963-4
6.562	7.125	-	-	-	-	-	-	-	-	-	-	YES	14	SSB7CG140301	7-1437415-6
6.125	6.687	-	-	-	-	-	-	-	-	-	-	YES	13	SSB7CG130301	1-1546963-3
5.687	6.250	-	-	-	-	-	-	-	-	-	-	YES	12	SSB7CG120301	1-1546963-2
③ 5.250	5.812	-	-	-	11	11	-	-	-	-	-	YES	11	SSB7CG110329	1-1546963-6
5.250	5.812	-	-	-	-	-	-	-	-	-	-	YES	11	SSB7CG110301	1-1546963-1
③ ④ 4.812	5.375	-	2	8	8	2	2	-	8	-	-	YES	10	SSB7N2030	5-1546963-8
③ ④ 4.812	5.375	-	2	8	-	-	4	-	2	-	-	NO	10	SSB7N2025	4-1546963-3
4.812	5.375	-	-	-	-	-	-	-	-	-	-	YES	10	SSB7CG100301	1-1546963-0
DIM B	DIM A	JUMPER	.250 QC TAB 90° BEND SGL SIDED ⑩	.250 QC TAB 90° BEND DBL SIDED ⑨	.250 QC TAB STRAIGHT DBL SIDED ⑧	.250 QC TAB STRAIGHT SGL SIDED ⑦	.250 QC TAB 45° BEND SGL SIDED ⑥	.187 QC TAB STRAIGHT SGL SIDED ⑤	.250 QC TAB 45° BEND DBL SIDED ④	.187 QC TAB 45° BEND SGL SIDED ③	.187 QC TAB 90° BEND SGL SIDED ②	SSB7 BUSHING ①	NO. OF POS.	CATALOG NUMBER	PART NUMBER
QUANTITIES															

THIS DRAWING IS A CONTROLLED DOCUMENT.		DWN	S SCHLGE	3/5/04	STE TE Connectivity
DIMENSIONS: INCHES		CHK	S YODER	3/5/04	
TOLERANCES UNLESS OTHERWISE SPECIFIED:		APVD	S YODER	3/5/04	
0 PLC ± - 1 PLC ± - 2 PLC ± .02 3 PLC ± .010 4 PLC ± - ANGLES ± 1°		NAME			
MATERIAL	FINISH	PRODUCT SPEC		SSB7CGXX0301	
		APPLICATION SPEC		DRAWING NO	
		WEIGHT		SIZE	CAGE CODE
		CUSTOMER DRAWING		A2	00779
				DRAWING NO	
				RESTRICTED TO	
				SCALE	
				SHEET	
				REV	
				P	

THIS DRAWING IS UNPUBLISHED. RELEASED FOR PUBLICATION
 © COPYRIGHT - By - ALL RIGHTS RESERVED.

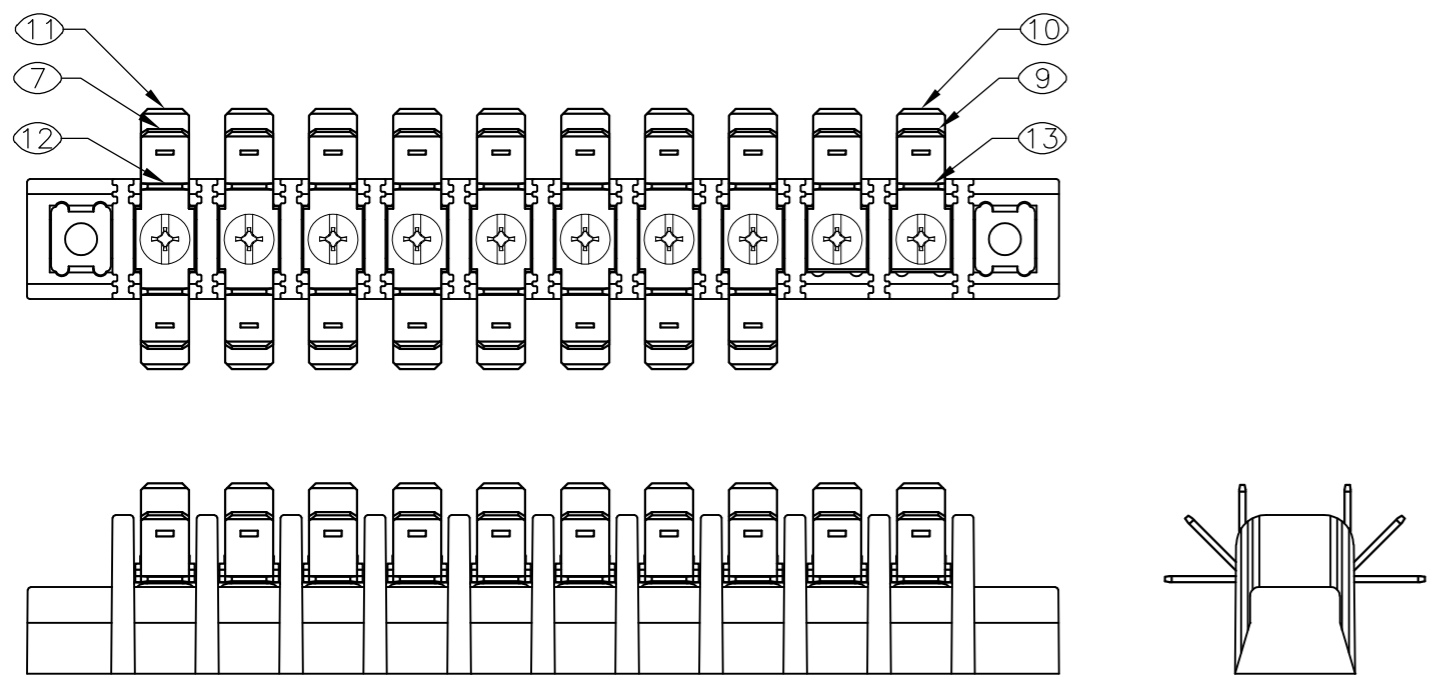
LOC		DIST		REVISIONS			
P	LTR	DESCRIPTION	DATE	DWN	APVD		
FT	0						
SEE SHEET 1							



THIS DRAWING IS A CONTROLLED DOCUMENT.		DWN	S SCHLUGEL	3/5/04	 TE Connectivity SSB7CGXX0301
DIMENSIONS: INCHES		CHK	S YODER	3/5/04	
TOLERANCES UNLESS OTHERWISE SPECIFIED:		APVD	S YODER	3/5/04	
0 PLC ± - 1 PLC ± - 2 PLC ± .02 3 PLC ± .010 4 PLC ± - ANGLES ± 1°		PRODUCT SPEC	NAME		
MATERIAL		FINISH	WEIGHT		SIZE
-		-	-		A2
-		-	CUSTOMER DRAWING		CAGE CODE
-		-	-		00779
-		-	-		DRAWING NO
-		-	-		8-796602-0
-		-	-		RESTRICTED TO
-		-	-		-
-		-	-		SCALE
-		-	-		NTS
-		-	-		SHEET
-		-	-		3 of 4
-		-	-		REV
-		-	-		P

THIS DRAWING IS UNPUBLISHED. RELEASED FOR PUBLICATION
 © COPYRIGHT - By - ALL RIGHTS RESERVED.

LOC		DIST		REVISIONS			
P	LTR	DATE	DWN	APVD	DESCRIPTION		
FT	0	-	-	-	SEE SHEET 1		



5-1546963-8

THIS DRAWING IS A CONTROLLED DOCUMENT.		DWN	S SCHLDEL	3/5/04									
DIMENSIONS: INCHES		CHK	S YODER	3/5/04									
TOLERANCES UNLESS OTHERWISE SPECIFIED:		APVD	S YODER	3/5/04									
0 PLC ± - 1 PLC ± - 2 PLC ± .02 3 PLC ± .010 4 PLC ± - ANGLES ± 1°		PRODUCT SPEC	NAME					SSB7CGXX0301					
MATERIAL		FINISH		WEIGHT	-	SIZE	A2	CAGE CODE	00779	DRAWING NO	C=8-796602-0	RESTRICTED TO	-
-		-		CUSTOMER DRAWING		SCALE	NTS	SHEET	4 of 4	REV	P		