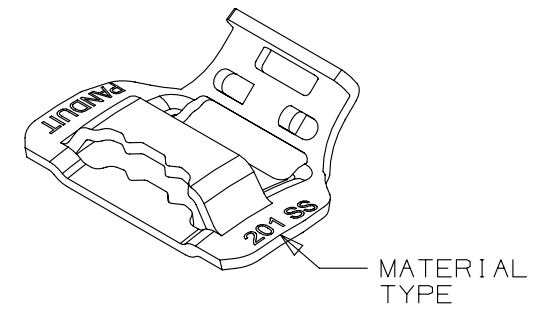
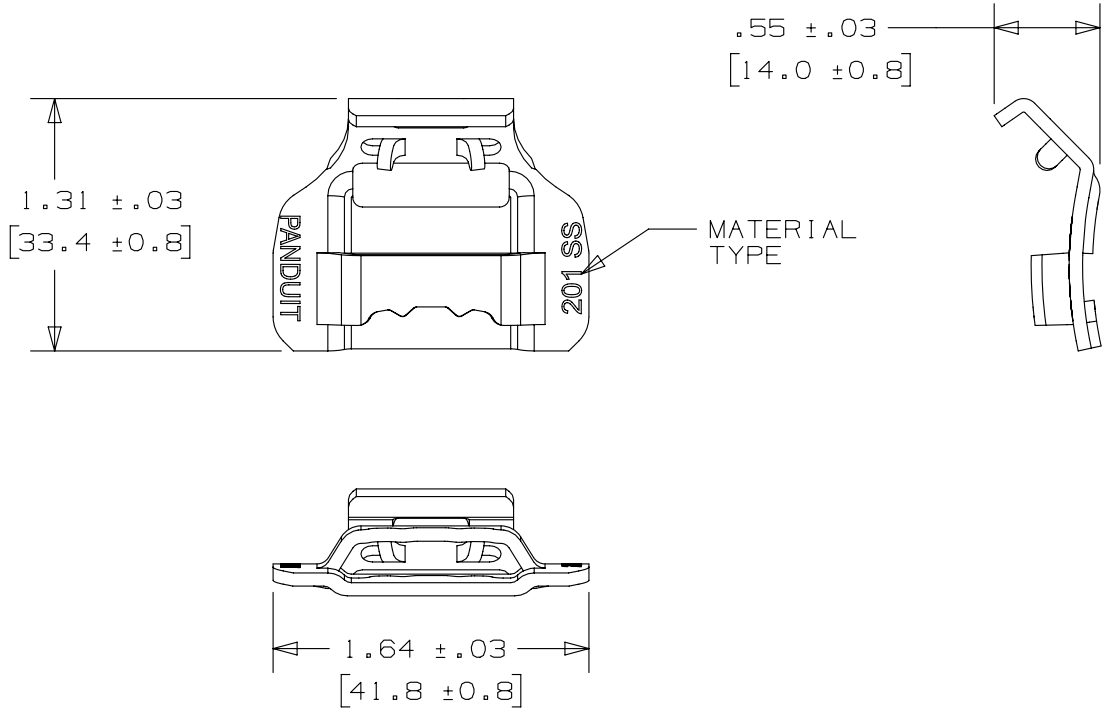


THIS COPY IS PROVIDED ON A RESTRICTED BASIS AND IS NOT TO BE USED IN ANY WAY DETRIMENTAL TO THE INTERESTS OF PANDUIT CORP.



ISOMETRIC VIEW  
SHOWN FOR  
REFERENCE ONLY

- NOTES:  
 1. APPLICATION TOOLS: BT75SDT  
 2. BRACKETS [ ] DENOTES DIMENSIONS ARE IN MILLIMETERS AND ARE FOR REFERENCE ONLY  
 3. MATERIAL: STAINLESS STEEL  
 4. MATERIAL THICKNESS: .070 ± .005

PANDUIT PART NUMBER	PACKAGE QUANTITY	MATERIAL TYPE	FOR USE WITH PANDUIT CONTINUOUS BANDING
MSBW75-C2	100	201 SS	MSW75T30-CR2
MSBW75-C6	100	316 SS	MSW75T30-CR6

REV	DATE	BY	CHK	APR	DESCRIPTION	ECN
03A	4/13	JAMB	SKB	---	UPDATE DRAWING TO NEW GLOBAL PANDUIT TITLE BLOCK WITH PANDUIT LOGO. ADDED TO NOTE #2: "AND ARE FOR REFERENCE ONLY"	SSECN01057
02A	6/10	JAMB	SKB	---	ADDED PART NUMBER MSBW75-C6 TO TABLE. ADDED "MATERIAL TYPE" TO TABLE. ADDED "FOR USE WITH...ETC" TO TABLE.	-----
01A	5/09	MIM	CCH	---	DRAWING RELEASED	-----

TITLE <b>MS75 METAL STRAPPING LOOSE PIECE BUCKLES</b> CUSTOMER DRAWING			
ITEM REVISION NAME N41285BS/03			
DATASET FILE NAME N41285BS_DC/03A			
UNLESS OTHERWISE SPECIFIED, DIMENSIONAL TOLERANCES ARE: IN [mm] .x ± .1 [ 2.54 ]      .xxx ± .005 [ .127 ] .xx ± .01 [ .25 ]      ANGLES ± 5 °		MATERIAL:  SEE NOTES	
THIRD ANGLE PROJECTION		DRAWING NUMBER: N41285BS_DC	
DRAWN BY MIM	DATE 5/09	CHK SKB	SCALE NONE
SHT 1 OF 1		SIZE A	