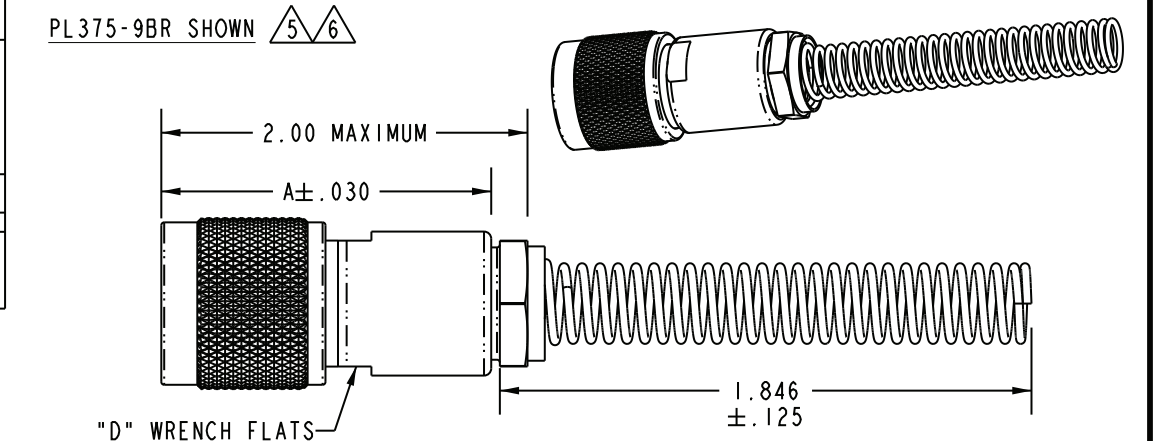
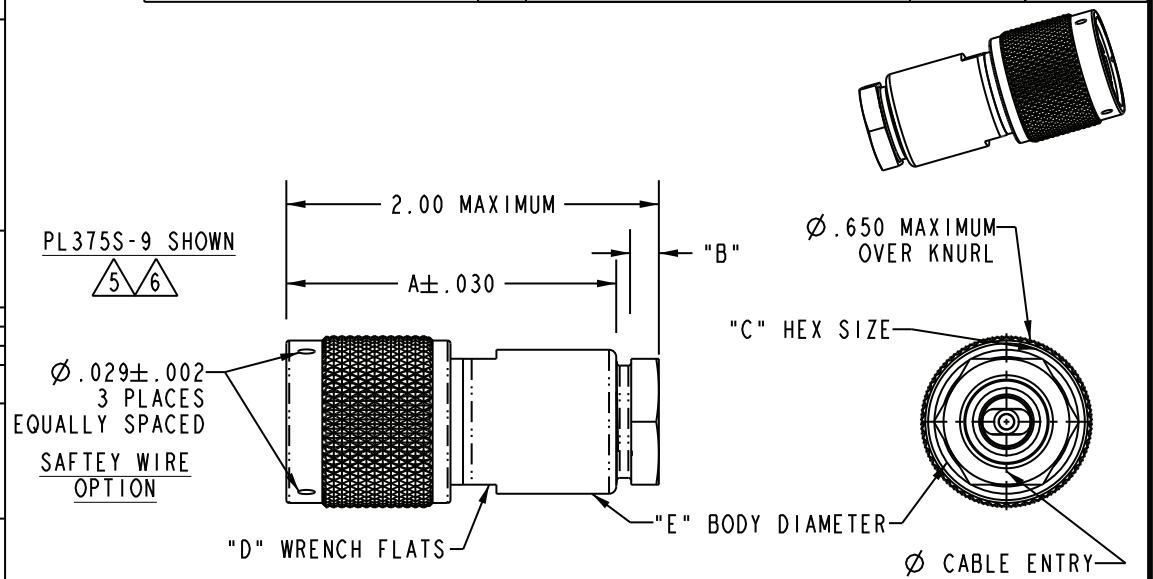


DASH NO	CABLES ACCOMMODATED	TABLE 1					CABLE ENTRY DIA	ASSEMBLE PER	CABLE TYPE														
		A DIM	B DIM	C FLATS	D FLATS	E DIA																	
-7	TRC-50-2 TRC-75-2	1.165	.096	.438	.438	.500	.274	TAI-189	TRIAx														
-8	8227, BELDEN	1.740	.130	.625	.688	.750	.345	TAI-103	TWINAX														
-9	TWC-78-2 TWC-124-2	1.165	.096	.438	.438	.500	.285	TAI-102															
-A9 3	BL782, TIMES BL982, TIMES BL1242, TIMES									3	3												
-10	RG-22 754E, AT&T									1.740	.130	.625	.688	.750	.455	TAI-103							
-11	760A, AT&T	.347																					
-12	16PEVL, AT&T VI-AL, GENERAL		.485	TAI-128																			
-13	TRF-59, TIMES				.362	TAI-129																	
-13A	8232, BELDEN						.352	TAI-165															
-14	8233, BELDEN																.490	TAI-129					
-23	250-3884, MICRODOT																		.183	TAI-189			
-24	202-3934, MICRODOT								.191												TAI-102		
-24A	9530A5117, RAYCHEM																					.200	TAI-189
-25	T-43M, GENERAL																						
-25A	5021H5331, RAYCHEM									.191	TAI-189												
-26	7028A5518, RAYCHEM	.145										TWINAX											
-27	1191PSJ2619EN, WOVEN 202-3927, MICRODOT 202-3942, MICRODOT		.191	TAI-102																			
-29	TWC-78-1/TWC-124-1A				.235	TWINAX																	
-30	761A, AT&T 8441, BELDEN						.191	TWINAX															
-32	TRC-50-1												.217	TWINAX									
-33	TRC-75-1														.300	TWINAX							
-42	21-204, ESSEX 4463, CONSOLIDATED								.200								TWINAX						
-43	250-4044/250-4045 293-3930, MICRODOT																	.183	TWINAX				
-45	M27500-22TE2114 1100-66F, STANDARD																			.475	TWINAX		
-46	9860, BELDEN									.184	TWINAX												
-47	M177176-00002	.132										TWINAX											
-49	TWAC-78-1F2		.323	TWINAX																			
-54	89207, BELDEN				.250	TWINAX																	
-55	89272, BELDEN						.191	TWINAX															
-56	GC875GCI, GRUMMAN												.191	TWINAX									
-57	GC875GB1, GRUMMAN														.198	TWINAX							
-58	GC875TM24H, GRUMMAN								.217								TWINAX						
-59	GC875LNI, GRUMMAN																	.183	TWINAX				
-60	M177177, THERMATICS 380-10045, BOEING																			.183	TWINAX		
-64	7528A5314, RAYCHEM																						

REV		DESCRIPTIONS	DATE	APPROVED
AD	ECO 52460		6/18/10	CSM



- 6 IF SAFETY WIRE TYPE & BEND RELIEF SPRING RECD ADD SUFFIX "SBR" TO MODEL NO (NOT AVAILABLE WITH CABLE GROUPS -8, -10, -11, -12, -13, -13A, -14, -46, & -54)
 - 5 IF BEND RELIEF SPRING RECD (SEE FIG 2) ADD SUFFIX "BR" TO MODEL NO (NOT AVAILABLE WITH CABLE GROUPS -8, -10, -11, -12, -13, -13A, -14, -46, & -54)
 - 4 IF SAFETY WIRE TYPE RECD ADD SUFFIX "S" TO MODEL NO (PL375S)
 - 3 CLAMP NUT OMITTED
 - 2 CONCENTRIC TWINAX/TRIAx TRT CABLE PLUG
 - 1 FINISH: TFS-1A (NICKEL)
- NOTES: UNLESS OTHERWISE SPECIFIED.

7. EXAMPLE OF COMPLETE MODEL NO:
PL375 S -7 BR

BASIC MODEL NO

BEND RELIEF (OMIT IF NOT RECD)

SAFETY WIRE TYPE (OMIT IF NOT RECD)

DASH NO (CABLE GROUP, TABLE 1)

INTERPRET DRAWING PER MIL-STD-100. DIMENSIONS ARE IN INCHES AND INCLUDE FINISH THICKNESS UNLESS OTHERWISE SPECIFIED.		TOL: UNLESS SPECIFIED. .XX ± .02 .XXX ± .010 .XXXX ± .0010 ANGLE ± 1° 00' CRITICAL		Cinch Connectivity Solutions 299 Johnson Ave. Ste. 100 Waseca, MN 56093 1-800-247-8256	
DRW	BPK	7/29/11		TITLE:	
CHK	CSM	8/1/11		PL375 / PL375S PL375BR / PL375SBR	
QUALITY	MANUF			FINISH:	
APPROVED			1		SIZE
PROF TITLE NO	315-0011		DO NOT SCALE DWG		CAGE CODE
SURFACE AREA				14949	
				DRAWING NO.	
				315-0011	
				REV.	
				AD	
				SCALE	
				1/1	
				DATE	
				5/23/73	
				SHEET	
				1 OF 2	