

## LFR 215 SERIES LED Replacement Lamps



### FEATURES AND BENEFITS

- Direct replacement for T3 1/4 BA9s based lamps.
- Wide viewing angle of 120° provides even illumination.
- High reliability with 100K hours MTBF.
- Illuminated colors available in red, yellow, blue, green, warm white and cool white.
- Wide input range (110VAC - 230VAC).

### APPLICATIONS

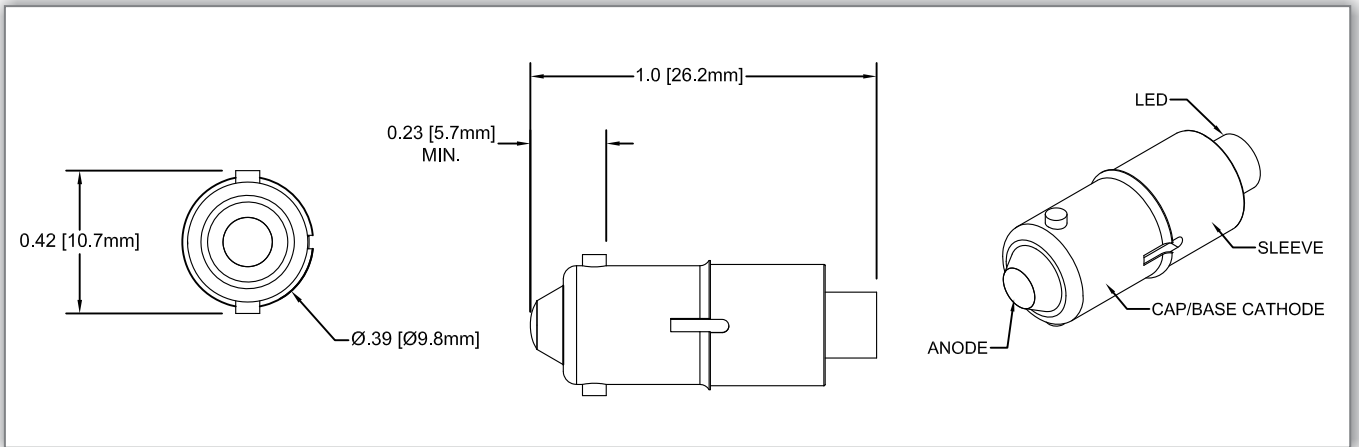
- General purpose indicators
- Push button switches
- Pilot lights
- Selector switches
- Panel indicators

| Part Number     | Wave Length                        | Emitted Color | Lens Appearance | Operating Voltage | Current AC | Iv      | Viewing Angle |
|-----------------|------------------------------------|---------------|-----------------|-------------------|------------|---------|---------------|
| LFR-215R230VAC  | 660 nm                             | Red           | Water Clear     | 230 VAC           | 2.0 mA     | 25 mcd  | 120°          |
| LFR-215R125VAC  | 660 nm                             | Red           | Water Clear     | 125 VAC           | 3.0 mA     | 25 mcd  | 120°          |
| LFR-215Y230VAC  | 595 nm                             | Yellow        | Water Clear     | 230 VAC           | 2.0 mA     | 60 mcd  | 120°          |
| LFR-215Y130VAC  | 595 nm                             | Yellow        | Water Clear     | 130 VAC           | 6.3 mA     | 60 mcd  | 120°          |
| LFR-215B110VAC  | 470 nm                             | Blue          | Water Clear     | 110 VAC           | 3.5 mA     | 150 mcd | 120°          |
| LFR-215G230VAC  | 525 nm                             | Green         | Water Clear     | 230 VAC           | 2.0 mA     | 50 mcd  | 120°          |
| LFR-215G125VAC  | 525 nm                             | Green         | Water Clear     | 125 VAC           | 3.0 mA     | 50 mcd  | 120°          |
| Part Number     | Chromaticity Coordinates           | Emitted Color | Lens Appearance | Operating Voltage | Current AC | Iv      | Viewing Angle |
| LFR-215WW230VAC | X=0.4255~0.4680<br>Y=0.4000~0.4385 | Warm White    | Water Clear     | 230 VAC           | 2.0 mA     | 340 mcd | 120°          |
| LFR-215WW130VAC | X=0.4255~0.4680<br>Y=0.4000~0.4385 | Warm White    | Water Clear     | 130 VAC           | 3.0 mA     | 340 mcd | 120°          |
| LFR-215CW230VAC | X=0.3028~0.3376<br>Y=0.3113~0.3616 | Cool White    | Water Clear     | 230 VAC           | 2.0 mA     | 440 mcd | 120°          |
| LFR-215CW125VAC | X=0.3028~0.3376<br>Y=0.3113~0.3616 | Cool White    | Water Clear     | 125 VAC           | 3.0 mA     | 440 mcd | 120°          |

## ORDERING INFORMATION

| Product Group | Series | Emitted Color                                    | Operating Voltage | Example        |
|---------------|--------|--|-------------------|----------------|
| LFR           | 2XX    | Red, Yellow, Green, Blue, Warm White, Cool White | 110VAC - 230VAC   | LFR-215R230VAC |

## SPECIFICATIONS



## DERATING CURVES

