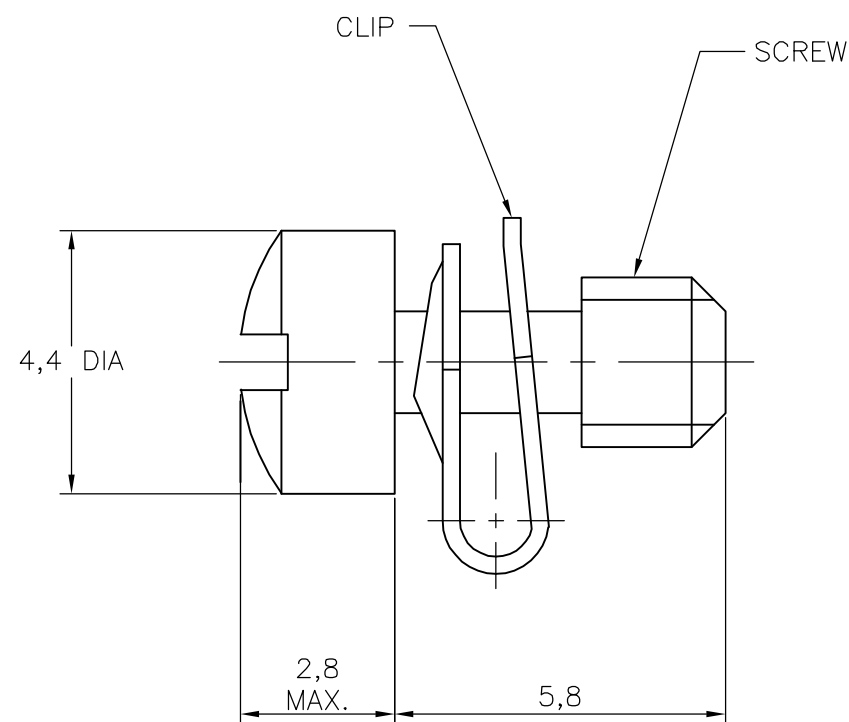


THIS DRAWING IS UNPUBLISHED. RELEASED FOR PUBLICATION
 © COPYRIGHT - BY TYCO ELECTRONICS CORPORATION. ALL RIGHTS RESERVED.

LOC	DIST	REVISIONS					
		P	LTR	DESCRIPTION	DATE	DWN	APVD
H	-		A	NEW	15-07-05	JvdH	DC
			B	ECR-05-013427	19-10-05	JvdH	JB
			C	ECR-06-019973	27-11-06	BSV	MK

NOTES:

- ① PARTS PACKAGED UNASSEMBLED.
1 KIT CONTAINS 2 SCREWS , 2 CLIPS.
- ② SCREW: STEEL
CLIP : STAINLESS STEEL
- ③ SCREW: BRIGHT TINPLATED.
CLIP : NO PLATING.
- ④ INDIVIDUAL KIT : 2 SCREWS +2 CLIPS IN ONE PLASTIC BAG
- ⑤ 100 KITS BULKPACKAGE : 200 SCREWS IN ONE PLASTIC BAG AND
200 CLIPS IN ANOTHER PLASTIC BAG.
1857211-3 AND -4 TO BE ORDERED IN MULTIPLES OF 100
PIECES OF THE PARTNUMBER.



⑤	③	②	M3	1857211-4
			4-40 UNC.	1857211-3
④	③	②	M3	1857211-2
			4-40 UNC.	1857211-1
PACKING		FINISH	MATERIAL	PART NUMBER ①

THIS DRAWING IS A CONTROLLED DOCUMENT.		DWN	15JUL05		Tyco Electronics Corporation s-HertogenBosch, Nederland,				
		CHK	15JUL05						
		D.CAMPSCHROER		15JUL05		NAME KIT, SCREW RETAINER, 4-40 UNC. M3, AMPLIMITE.			
		APVD		15JUL05					
		J.BROEKSTEEG							
DIMENSIONS: MM		TOLERANCES UNLESS OTHERWISE SPECIFIED:		PRODUCT SPEC		SIZE A3			
		0 PLC ± - 1 PLC ± - 2 PLC ± - 3 PLC ± - 4 PLC ± - ANGLES ± -		APPLICATION SPEC			CAGE CODE 00779		
MATERIAL		FINISH		WEIGHT		DRAWING NO C-1857211			
-		-		-			RESTRICTED TO -		
CUSTOMER DRAWING				SCALE	NTS	SHEET		1 OF 1	REV